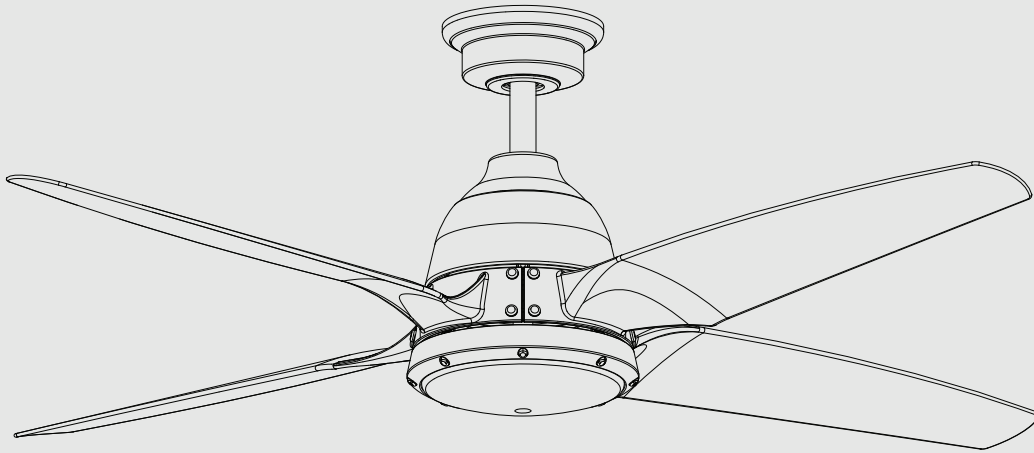




Ceiling Fan Installation Manual



Limited Lifetime Warranty

Progress Lighting fan motors are warranted to the original purchaser to be free of electrical and/or mechanical defects for so long as the original purchaser owns the fan. Pull chain switches, reverse switches, capacitors and metal finishes are warranted to be free from defects in materials or workmanship for a period of 1 year from the date of purchase. Warping of wooden or plastic blades is not covered by this warranty nor is corrosion and/or deterioration of any finishes for fans installed within ten miles of any sea coast. Extended warranties for ENERGY STAR® qualified products may apply.

Progress Lighting ceiling fans with built-in LED light sources, when properly installed and under normal conditions of use, are warranted to be free from defects in material and workmanship which cause the light sources to fail to operate in accordance with the specifications for (i) five (5) years from the date of purchase on the LED Light modules and electrical components for fans used in single family residences, and (ii) three (3) years from the date of purchase on the LED Light modules and electrical components for fans used in multi-family or commercial applications. LED bulbs supplied by Progress Lighting carry no warranty other than manufacturer's warranty. Non-LED bulbs carry no warranty.

With proof of purchase, the original purchaser may return the defective fan to the place of purchase during the first 30 days for replacement. After 30 days, the original purchaser MUST contact Progress Lighting at (864) 678-1000 for repair or replacement which shall be determined in Progress Lighting's sole discretion and shall be purchaser's sole and exclusive remedy.

Labor and Shipping Excluded. This warranty does not cover any costs or fees associated with the labor (including, but not limited to, electrician's fees) required to install, remove, or replace a fan or any fan parts.

This warranty shall not apply to any loss or damage resulting from (i) normal wear and tear or alteration, misuse, abuse or neglect, or (ii) improper installation, operation, repair or maintenance by original purchaser or a third party, including without limitation improper voltage supply or power surge, use of improper parts or accessories, unauthorized repair (made or attempted) or failure to provide maintenance to the fan.

THE FOREGOING WARRANTIES STATE PROGRESS LIGHTING'S ENTIRE WARRANTY OBLIGATION AND ORIGINAL PURCHASER'S SOLE AND EXCLUSIVE REMEDY RELATED TO SUCH PRODUCTS. PROGRESS LIGHTING IS NOT RESPONSIBLE FOR DAMAGES (INCLUDING INDIRECT, SPECIAL, INCIDENTAL OR CONSEQUENTIAL), DUE TO PRODUCT FAILURE, WHETHER ARISING OUT OF BREACH OF WARRANTY, BREACH OF CONTRACT, OR OTHERWISE. THIS WARRANTY IS GIVEN IN LIEU OF ALL OTHER WARRANTIES, WHETHER EXPRESSED OR IMPLIED, INCLUDING THOSE OF MERCHANTABILITY, FITNESS FOR A PARTICULAR PURPOSE OR NON-INFRINGEMENT.

Some states do not allow limitations on how long an implied warranty lasts or the exclusion or limitations of incidental or consequential damages, so the above limitations and exclusions may not apply to you. This warranty gives you specific rights and you may have other rights which vary from state to state.

Date Purchased _____

Store Purchased _____

UL Model No. P250009

Serial No. _____

Vendor No. 111017

UPC 785247249442

785247249428



Safety Rules	1
Unpacking Your Fan	2
Installing Your Fan	3
Making the Electrical Connections	6
Operating Your Fan	11
Care of Your Fan	12
Troubleshooting	12
Specifications	13

Table of Contents

READ AND SAVE THESE INSTRUCTIONS

1. To reduce the risk of electric shock, insure electricity has been turned off at the circuit breaker or fuse box before beginning.
2. All wiring must be in accordance with the National Electrical Code ANSI/NFPA 70-1999 and local electrical codes. Electrical installation should be performed by a qualified licensed electrician.
3. **CAUTION:** To reduce the risk of personal injury, use only the screws provided with the electrical box.
4. The outlet box and support structure must be securely mounted and capable of reliably supporting 35 lbs. (15.9 kg). Use only cUL Listed outlet boxes marked “Acceptable for Fan Support of 35 lbs. (15.9 kg) or less.”
5. **CAUTION:** The fan must be mounted with a minimum of 7 feet clearance from the trailing edge of the blades to the floor.
6. Do not wait for the fan to stop before pressing the reverse button. The fan will not reverse direction if the fan is not moving.
7. Avoid placing objects in path of the blades.
8. To avoid personal injury or damage to the fan and other items, be cautious when working around or cleaning the fan.
9. Do not use water or detergents when cleaning the fan or fan blades. A dry dust cloth or lightly dampened cloth will be suitable for most cleaning.
10. After making electrical connections, spliced conductors should be turned upward and pushed carefully up into electrical box. The wires should be spread apart with the grounded conductor and the equipment-grounding conductor on one side of the electrical box and ungrounded conductor on the other side of the electrical box.
11. Electrical diagrams are for reference only. Light kits that are not packed with the fan must be cUL Listed and marked suitable for use with the model fan you are installing. Switches must be cUL General Use Switches. Refer to the instructions packaged with the light kits and switches for proper assembly.
12. All set screws must be checked and retightened where necessary before installation.
13. **WARNING:** To reduce the risk of fire or electric shock, this fan should only be used with fan speed control part no. DP-51R, manufactured by DAWNSUN ELECTRONIC TECHNOLOGY CO LTD ZHONGSHAN.
14. Suitable for use in damp locations. Use only with light kits marked suitable for use in damp locations.

WARNING

TO REDUCE THE RISK OF FIRE, ELECTRIC SHOCK OR PERSONAL INJURY, MOUNT TO OUTLET BOX MARKED “ACCEPTABLE FOR FAN SUPPORT OF 35LBS. (15.9 KG) OR LESS”, AND USE SCREWS PROVIDED WITH THE OUTLET BOX.

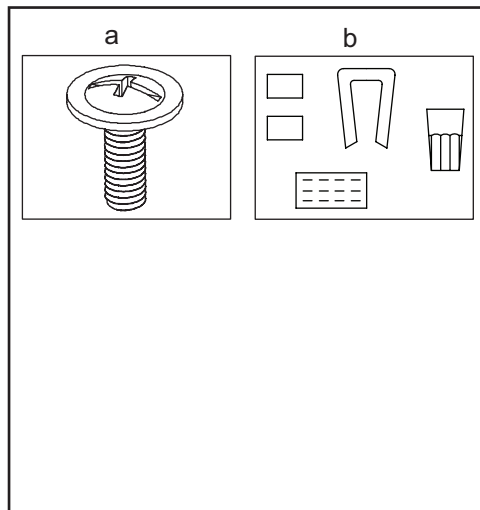
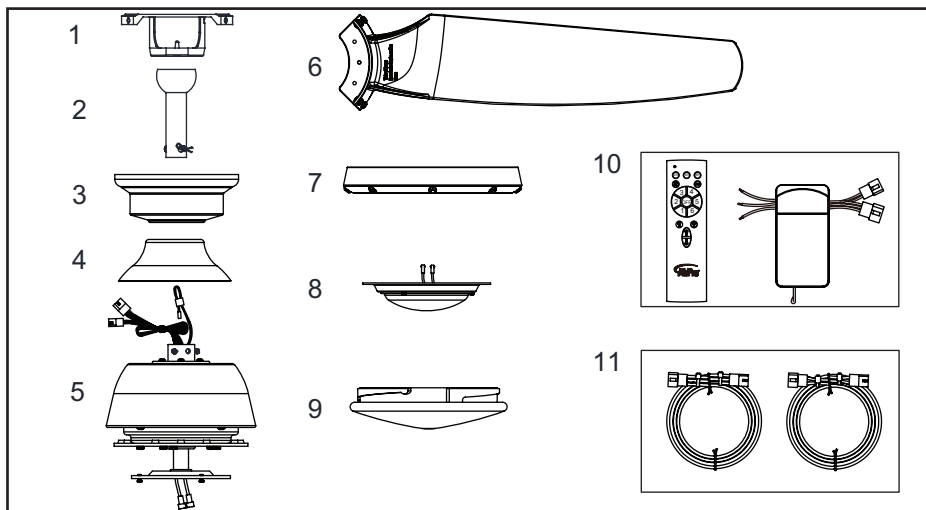
WARNING

TO REDUCE THE RISK OF PERSONAL INJURY, DO NOT BEND THE BLADE BRACKETS (ALSO REFERRED TO AS (“FLANGES”)) DURING ASSEMBLY OR AFTER INSTALLATION. DO NOT INSERT OBJECTS IN THE PATH OF THE BLADES.

WARNING

TO REDUCE THE RISK OF SHOCK, THIS FAN MUST BE INSTALLED WITH AN ISOLATION CONTROL/SWITCH.

1. Safety Rules



Unpack your fan and check the contents. You should have the following items:

- | | |
|---|------------------------------|
| 1. Mounting Bracket (inside canopy) | 7. Light Kit Pan |
| 2. 6" Ball/Downrod Assembly (hanger pin and locking pin pre-attached) | 8. Light Kit Fitter Assembly |
| 3. Canopy with Canopy Ring (attached) | 9. Glass Shade |
| 4. Decorative Motor Collar Cover | 10. Transmitter and Receiver |
| 5. Fan Motor Assembly | 11. Extension Lead Wire |
| 6. Blades (4) | |

- a. **Blade attachment hardware**
(13 screws)
- b. **Electrical hardware and balancing kit**
(3 plastic wire connectors, blade balancing kit)
- "

2. Unpacking Your Fan

Tools Required

Phillips screw driver or straight slotted screw driver, adjustable wrench, step ladder, and wire cutters.



Mounting Options

If there isn't an existing electrical box, then read the following instructions. **Disconnect the power by removing fuses or turning off circuit breakers.**

Secure the electrical box directly to the building structure. Use appropriate fasteners and building materials. The electrical box and its support must be able to fully support the moving weight of the fan (at least 35 lbs.). **Do not use plastic electrical boxes.**

WARNING

TO REDUCE THE RISK OF FIRE, ELECTRIC SHOCK OR PERSONAL INJURY, MOUNT TO OUTLET BOX MARKED "ACCEPTABLE FOR FAN SUPPORT OF 35LBS. (15.9 KG) OR LESS", AND USE SCREWS PROVIDED WITH THE OUTLET BOX. ELECTRICAL BOXES COMMONLY USED FOR THE SUPPORT OF LIGHTING FIXTURES MAY NOT BE ACCEPTABLE FOR FAN SUPPORT AND MAY NEED TO BE REPLACED. CONSULT A QUALIFIED ELECTRICIAN IF IN DOUBT.

Figures 1, 2, and 3 are examples of different ways to mount the electrical box.



Figure 1



Figure 2

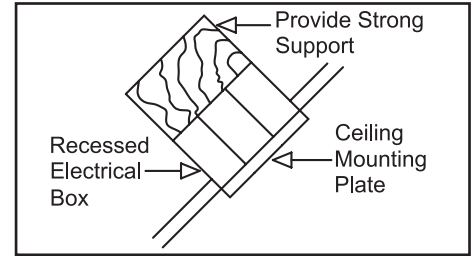


Figure 3

Note: You may need a longer downrod to maintain proper blade clearance when installing on a steep, sloped ceiling. **The maximum angle allowable is 20°.** If the canopy touches downrod, remove the decorative canopy bottom cover and turn the canopy 180° before attaching the canopy to the mounting plate.

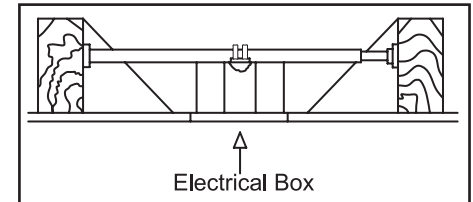


Figure 4

To hang your fan where there is an existing fixture but no ceiling joist, you may need an installation hanger bar as shown in Figure 4.

3. Installing Your Fan

Hanging the Fan

REMEMBER to turn off the power. Follow the steps below to hang your fan properly.

NOTE: This fan is recommended for standard ceiling mount using the downrod provided with this fan. When using standard ceiling installation with the 6 inch downrod provided, the distance from the ceiling to the bottom of the fan blades will be approximately 14 inches.

Standard Ceiling Mounting

1. Remove the canopy from the canopy by turning the ring counter-clockwise until it unlocks. (Figure 5)
2. Remove the mounting bracket from the canopy by loosening the four screws on the top of the canopy. Remove the two non-slotted screws and loosen the slotted screws. This will enable you to remove the mounting bracket. (Figure 6)
3. Remove the hanger pin and locking pin from downrod assembly.
4. Route the wires exiting the top of the fan motor through the decorative motor collar cover then the canopy ring. Make sure the slot openings are on top. Route the wires through the canopy and then through the ball/downrod assembly. (Figure 7)

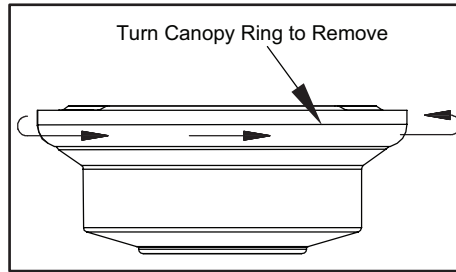


Figure 5

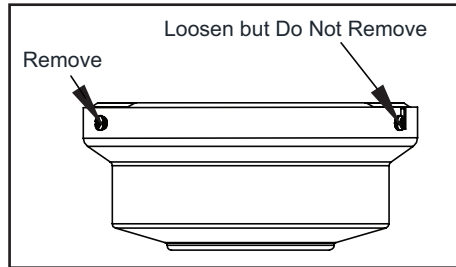


Figure 6

5. Loosen, but do not remove, the set screws on the collar on the top of the motor housing.
6. Align the holes at the bottom of the downrod with the holes in the collar on top of the motor housing. (Figure 7) Carefully insert the hanger pin through the holes in the collar and downrod. Be careful not to jam the hanger pin against the wiring inside the downrod. Insert the locking pin through the hole near the end of the bolt until it snaps into its locked position, as noted in the circle inset of Figure 7.

7. Re-tighten the set screws on the collar on top of the motor housing.
8. Make sure the grommet is properly installed in the collar cover, then slide the collar cover on the downrod until it rests on the motor housing. Be sure that the canopy and the collar cover are both oriented correctly.
9. Proceed to “Installing the Fan” section.

WARNING

FAILURE TO PROPERLY INSTALL SET SCREWS AS NOTED IN STEP 7 COULD RESULT IN FAN LOOSENING AND POSSIBLY FALLING.

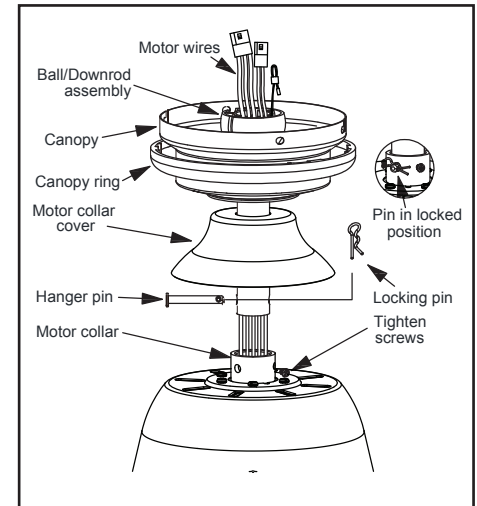


Figure 7

Installing Fan to the Electrical Box

WARNING

WHEN USING THE STANDARD BALL/DOWNROD MOUNTING, THE TAB IN THE RING AT THE BOTTOM OF THE MOUNTING BRACKET MUST REST IN THE GROOVE OF THE HANGER BALL. FAILURE TO PROPERLY SEAT THE TAB IN THE GROOVE COULD CAUSE DAMAGE TO WIRING.

1. Pass the 120-volt supply wires through the center hole in the ceiling mounting bracket as shown in Figure 8.
2. Install the ceiling mounting bracket on the electrical box by using the mounting screws provided with the electrical box. Note that the flat side of the mounting bracket is toward the electrical box. (Figure 8)
3. Tighten the two screws on the electrical box securely.
4. Carefully lift the fan assembly up to the ceiling mounting bracket. Make sure the tab on the mounting bracket is properly seated in the groove in the hanger ball. (Figure 9)

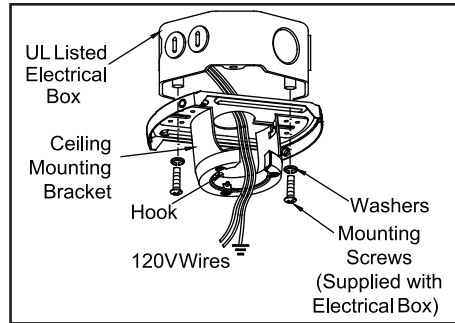


Figure 8

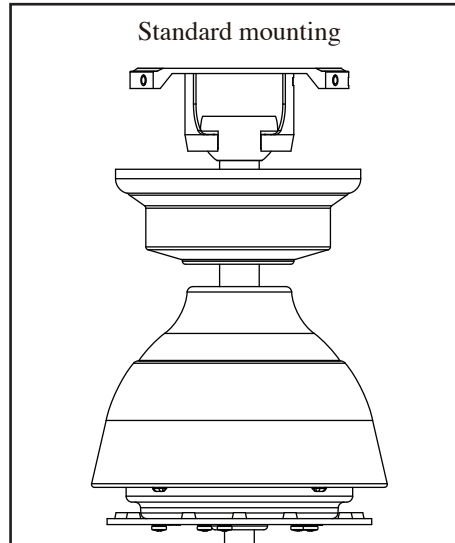


Figure 9

Connecting the Safety Cable

1. Turn the wood screw (LL)(not provided) into the ceiling.
2. Place the looped end of the safety cable (S) onto the wood screw and then tighten the screw firmly, or connect the safety cable directly to the electrical box. (Figure 10)

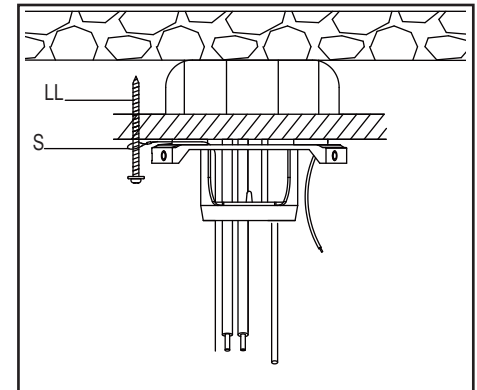


Figure 10

Installing the Receiver into the Mounting Bracket

1. Position the house supply wires to one side of the slide-on mounting bracket; position the fan wires to the opposite side.
2. Insert the narrow end of the receiver (as shown, flat side toward ceiling) into the slide-on mounting bracket until it rests on top of the ball/downrod assembly. (Figure 11)

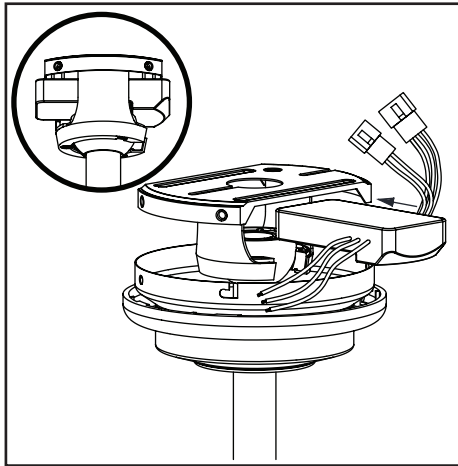


Figure 11

Wiring the Receiver to the Household Wiring

1. Connect the green wire to the household ground wires using a wire connecting nut.
2. Connect the receiver black wire to the household black wire using a wire connecting nut.
3. Connect the receiver white wire to the household white wire using a wire connecting nut.

Wiring the Fan to the Receiver

1. If using the 6 in. ball downrod assembly provided, wire the receiver to the fan wires by connecting the molded adaptor plug from this receiver with the molded adaptor of the fan motor assembly together. (Figure 12)
2. If you wish to use longer downrod, you can use the extension lead wire (66 in.) provided by connecting the molded adaptors together.

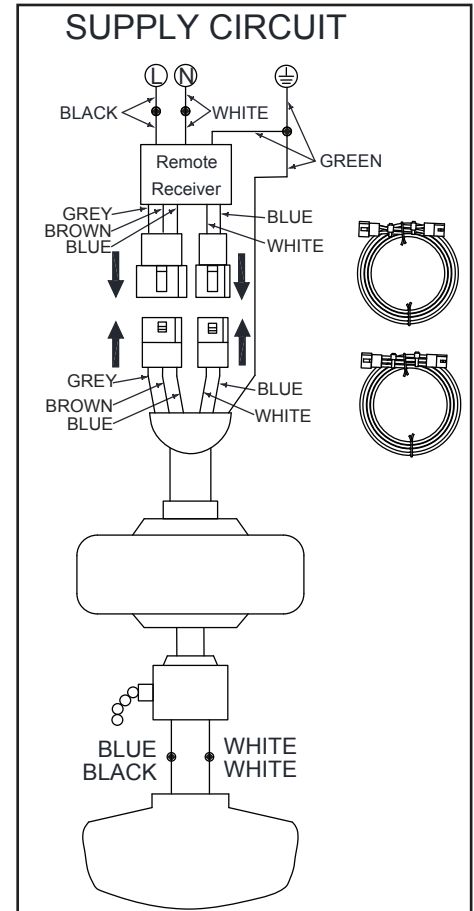


Figure 12

Finishing the Fan Installation

STANDARD CEILING MOUNTING

WARNING

WHEN USING THE STANDARD BALL/DOWNROD MOUNTING, THE TAB IN THE RING AT THE BOTTOM OF THE MOUNTING PLATE MUST REST IN THE GROOVE OF THE HANGER BALL. FAILURE TO PROPERLY SEAT THE TAB IN THE GROOVE COULD CAUSE DAMAGE TO WIRING.

1. Align the locking slots of the ceiling canopy with the two screws in the mounting plate. Push up to engage the slots and turn clockwise to lock in place. Immediately tighten the two mounting screws firmly.
2. Install the remaining two mounting screws into the holes in the canopy and tighten firmly.
3. Install the decorative canopy ring by aligning the ring's slots with the screws in the canopy. Rotate the ring clockwise to lock in place.
4. You may now proceed to attaching the fan blades.

Attaching the Fan Blades

1. Attach the blade to the the fan motor assembly, align the screw holes in the blade with the screw holes above and under the motor assembly, and secure the blade with blade arm screws.
2. Repeat this step for the remaining the blades.

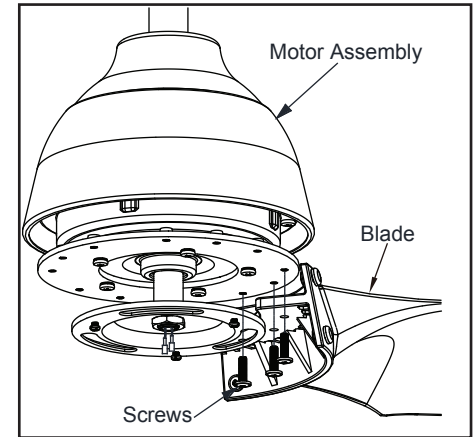


Figure 13

Blade Balancing

All blades are grouped by weight. Because materials vary in density, the fan may wobble even though the blades are weight matched.

The following procedure should correct most fan wobble. Check after each step.

1. Check that all blade screws are secure.
2. Most fan wobble problems are caused when blade levels are unequal. Check this level by selecting a point on the ceiling above the tip of one of the blades. Measure from a point on the center of each blade to the point on the ceiling. Measure this distance as shown in Figure 14. Rotate the fan until the next blade is positioned for measurement. Repeat for each blade. Measurements deviation should be within 1/8". Run the fan for 10 minutes.
3. Make sure that canopy is tightened securely to ceiling mounting bracket and that the ceiling mounting bracket is tightened securely to the electrical box.
4. Interchanging two adjacent blades can redistribute the weight and possibly result in the smoother operation.
5. Use the enclosed Blade Balancing Kit if the blade wobble is still noticeable.

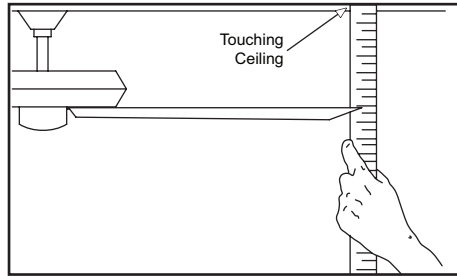


Figure 14

Installing the Light Kit Pan/Light Kit Fitter Assembly/ Glass Shade

CAUTION - To reduce the risk of electrical shock, disconnect the electrical supply circuit to the fan before installing the light kit.

1. Loosen but do not remove two of three mounting screws from the fan motor assembly; Remove one mounting screw. (Figure 15)
2. Push the light kit pan up to the fan motor assembly so that the two loosened screw heads fit into the keyhole slots. Turn the light kit pan clockwise, tightened the screws. Re-install the screw that was removed in step 1 and tighten firmly. (Figure 15)
3. Remove one screw from the light kit pan and loosen, but do not remove the other two screws. Connect the wires from the light kit fitter assembly to the wires from the fan motor assembly by connecting the molded adaptor plugs together. Carefully tuck all wires and splices into the switch cap. (Figure 16)

4. Push the light kit fitter assembly up so that the two loosened screw heads fit into the keyhole slots. Turn the light kit fitter assembly clockwise, tighten the screws. Re-install the screw that was removed in step 3 and tighten firmly. (Figure 16)
5. Place the glass shade into the light kit pan, aligning the three flat areas on the top of the glass shade with the three raised dimples in the light kit pan. Turn the glass shade clockwise until it stops. (Figure 17)

NOTE

PERIODICALLY CHECK THE GLASS SHADE IS SEATED FULLY CLOCKWISE IN THE LIGHT KIT PAN ASSEMBLY.

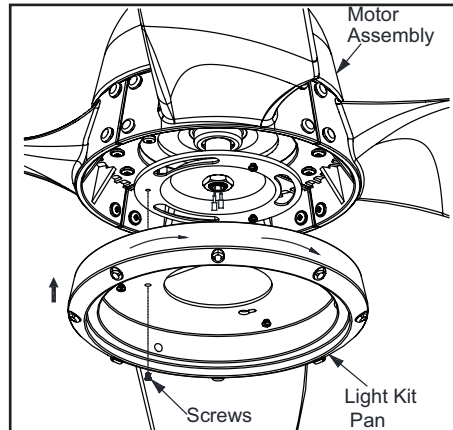


Figure 15

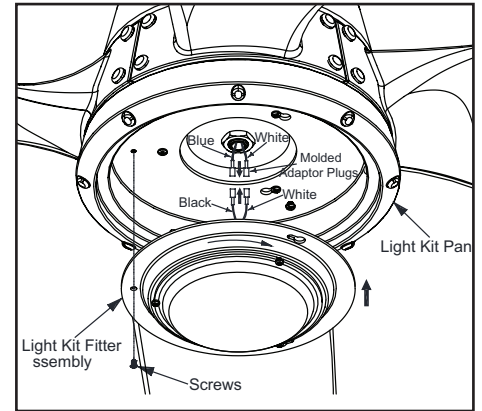


Figure 16

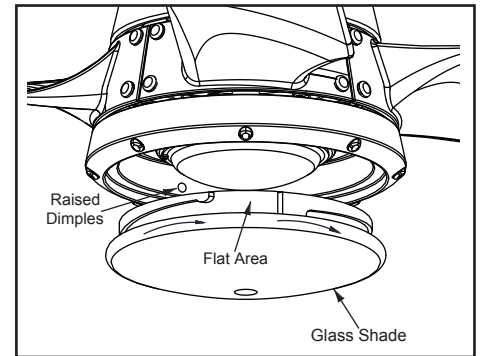


Figure 17

Preparing the Remote Control

NOTE: The remote control has already been paired to the ceiling fan for your convenience. If you have two of the same model fans in your home, please follow the steps below to control each fan independently.

1. Remove the battery cover by pressing firmly on the arrow and sliding the cover off.
2. Install two 1.5V AAA batteries (N) (included).
3. Slide the dip switch in the battery compartment to the “1” setting.
4. Confirm that the power to the fan is off at either the wall switch or breaker box.
5. Return power to the fan at the wall switch or breaker box.
6. Press and release the “Learn” button located in the remote’s battery compartment within 30 seconds of turning on the power.
7. If pairing is successful, the fan’s light kit will flash and the blades will begin to spin.
8. Replace the battery cover on the remote control.

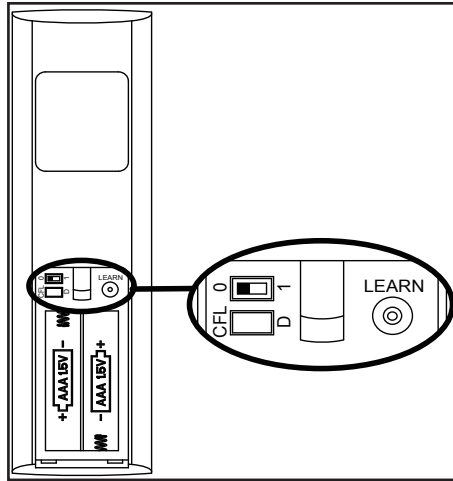


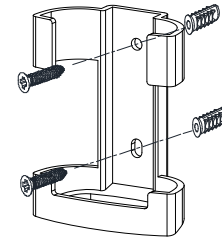
Figure 18

Mounting the Remote Control Holder



NOTE: Screw wall anchors are included for extra support. The included screws are designed to screw easily into the wall. If you would like a more permanent or secure hold, install the wall anchors prior to attaching the wall cradle to the wall.

- Position the wall cradle in the desired position and attach it to the wall using the included wall cradle screws.



Remote Control

Timer:

While the fan is on press 2h - turns on a 2 hour run timer.

While the fan is on press 4h - turns on a 4 hour run timer.

While the fan is on press 8h - turns on an 8 hour run timer.

Forward/Reverse:

Changes direction of ceiling fan.

Breeze:

Press and release this button to enable the Breeze function, this will change your fan speed randomly, simulating a relaxing breeze.

Fan speed:

LEDs on the fan speed button will illuminate to the corresponding speed.

Press and release 1: turns the fan speed to 1.

Press and release 2: turns the fan speed to 2.

Press and release 3: turns the fan speed to 3.

Press and release 4: turns the fan speed to 4.

Press and release 5: turns the fan speed to 5.

Press and release 6: turns the fan speed to 6.

Fan OFF:

Turns fan Off

Light ON/OFF

Press and release the light button to turn the light on.

Press and release the light button to turn the light off.

Dimmer:

Press and hold up dimmer button to increase the light level

Press and hold the down dimmer button to decrease the light level.

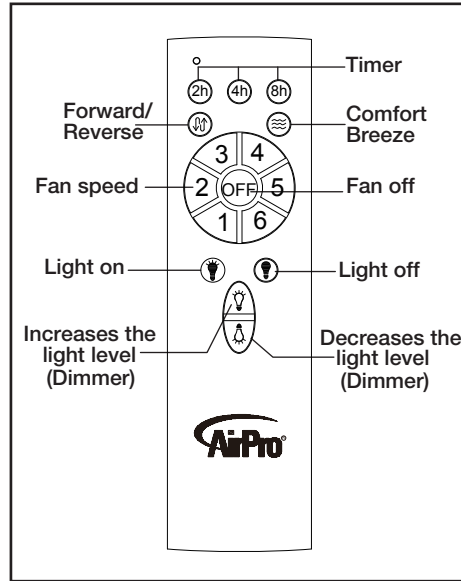


Figure 19

Warm weather - (Forward) A downward air flow creates a cooling effect as shown in Figure 20. This allows you to set your air conditioner on a higher setting without affecting your comfort.

Cool weather - (Reverse) An upward air flow moves warm air off the ceiling as shown in Figure 21. This allows you to set your heating unit on a lower setting without affecting your comfort.

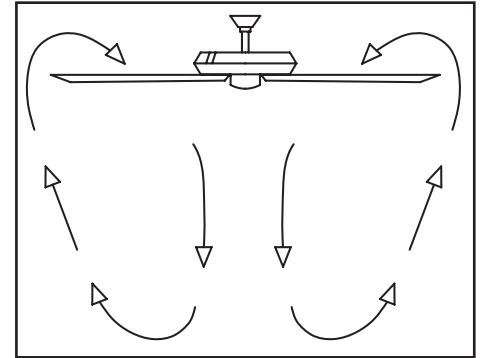


Figure 20

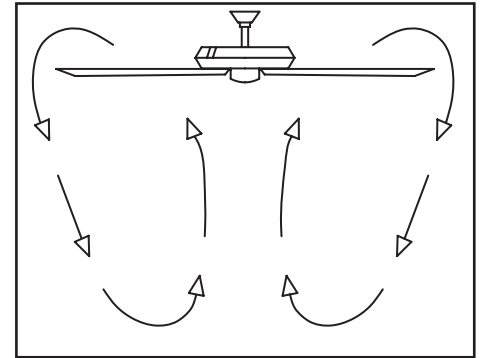


Figure 21

Care of Your Fan

Here are some suggestions to help you maintain your fan.

1. Because of the fan's natural movement, some connections may become loose. **Check the support connections, brackets, and blade attachments twice a year.** Make sure they are secure. **(It is not necessary to remove fan from ceiling.)**
2. Clean your fan periodically to help maintain its new appearance over the years. Do not use water when cleaning, this could damage the motor, or possibly cause an electrical shock. Use only a soft brush or lint-free cloth to avoid scratching the finish. The plating is sealed with a lacquer to minimize discoloration or tarnishing. **Warning - Make sure the power is off before cleaning your fan.**
3. You can apply a light coat of furniture polish to the wood for additional protection and enhanced beauty. Cover small scratches with a light application of shoe polish.
4. **There is no need to oil your fan.** The motor has permanently lubricated sealed ball bearings.

Troubleshooting

Problem

Solution

Fan will not start

1. Check main and branch circuit fuses or breakers
2. Check line wire connections to the fan and switch wire connections in the switch housing. **CAUTION: Make sure main power is off.**
3. Check batteries in the transmitter. Does the red LED light come on? Are you standing close enough to the fan? (Normal range is 10-20 feet.) Are the dip switch settings the same on the transmitter (hand unit) and receiver? **REMEMBER TO TURN OFF POWER SUPPLY BEFORE CHECKING THE DIP SWITCH SETTINGS IN RECEIVER.**

Fan sounds noisy

1. Make sure all motor housing screws are snug.
2. Make sure the screws that attach the fan blade bracket to the motor hub are tight.
3. Make sure wire nut connections are not rattling against each other or the interior wall of the switch housing. **CAUTION: Make sure power is off.**
4. Allow a 24-hour "breaking in" period. Most noises associated with a new fan disappear during this time.
5. If using the Ceiling Fan light kit, make sure the screws securing the glassware are tight. Check that the light bulb is also secure.
6. Make sure the canopy is a short distance from the ceiling. It should not touch the ceiling.
7. Make sure your electrical box is secure and rubber isolator pads were used between the mounting bracket and electrical box.

WARNING

MAKE SURE THE POWER IS OFF AT THE ELECTRICAL PANEL BOX BEFORE YOU ATTEMPT TO MAKE ANY REPAIRS. REFER TO THE SECTION, "MAKING ELECTRICAL CONNECTIONS."

12. Care of Your Fan and Troubleshooting

FAN SIZE	SPEED	VOLTS	FAN POWER CONSUMPTION (WITHOUT LIGHTS) WATTS	AIRFLOW CFM	AIRFLOW EFFICIENCY (HIGHER IS BETTER) CFM/WATT	NET WEIGHT	GROSS WEIGHT	CUBE FEET
56"	Low	120	1.77	2798	1581	16.76 Lbs	21.17 Lbs	2.55
	High		20.5	7801	381			

This equipment has been tested and found to comply with the limits for a Class B digital device, pursuant to Part 15 of the FCC Rules. These limits are designed to provide reasonable protection against harmful interference in a residential installation. This equipment generates, uses and can radiate radio frequency energy and, if not installed and used in accordance with the instructions, may cause harmful interference to radio communications. However, there is no guarantee that interference will not occur in a particular installation. If this equipment does cause harmful interference to radio or television reception, which can be determined by turning the equipment off and on, the user is encouraged to try to correct the interference by one or more of the following measures:

- Reorient or relocate the receiving antenna.
- Increase the separation between the equipment and receiver.
- Connect the equipment into an outlet on a circuit different from that to which the receiver is connected.
- Consult the dealer or an experienced radio/TV technician for help.

CAUTION:

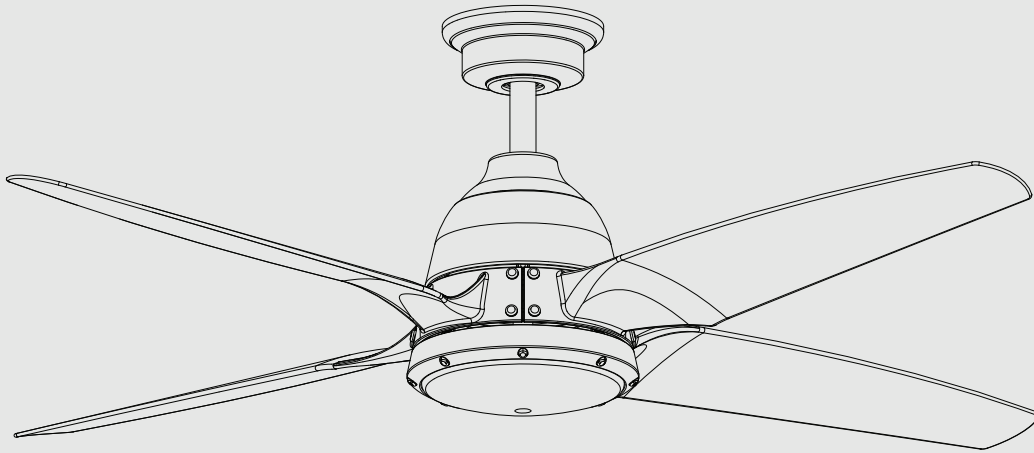
Any changes or modifications not expressly approved by the grantee of this device could void the user's authority to operate the equipment. This device complies with Part 15 of the FCC Rules. Operation is subject to the following two conditions: (1) This device may not cause harmful interference, and (2) this device must accept any interference received, including interference that may cause undesired operation.

©2017 Progress Lighting, Inc.
701 Millennium Blvd.,
Greenville, SC 29607
All Rights Reserved

13. Specifications



Manual de instalación del ventilador de techo



Garantía limitada de por vida

Los motores de ventilador Progress Lighting se garantizan al comprador original como libres de defectos eléctricos y/o mecánicos por el tiempo en que estén en su posesión como dueño. Los interruptores activados por cadena, los interruptores de reversa, los capacitores y los acabados de metal se garantizan como libres de defectos materiales o de fabricación por el plazo de 1 año desde la fecha de compra. Las deformaciones de las aspas de madera o plástico no están cubiertas por esta garantía. Tampoco lo están la corrosión y/o deterioro del acabado de ventiladores instalados a menos de diez millas de cualquier costa del mar. Pudieran aplicarse garantías extendidas para productos ENERGY STAR® que califiquen.

Los ventiladores de techo Progress Lighting con fuentes de luz LED incorporadas, si han sido bien instalados y bajo condiciones normales de uso, se garantizan como libres de defectos materiales y de fabricación que puedan causar un fallo en el funcionamiento según las especificaciones de dichas fuentes de luz durante un periodo de (i) cinco (5) años a partir de la fecha de compra para los módulos de luz LED y componentes eléctricos de ventiladores usados en residencias unifamiliares y durante (ii) tres (3) años para ventiladores usados residencias multifamiliares o en instalaciones comerciales. Las bombillas LED suministradas por Progress Lighting sólo poseen la garantía del fabricante. Las bombillas que no sean LED no tienen garantía.

Con prueba de la compra, el comprador original puede devolver el ventilador defectuoso, para su reposición, al lugar donde lo compró, dentro de los 30 días siguientes a la compra. Pasados 30 días, el comprador original TIENE que contactar a Progress Lighting llamando al (864) 678-1000 para reparación o reposición, según determine Progress Lighting a su entera discreción, y este será el único y exclusivo remedio del comprador.

Se excluyen cargos por mano de obra y envío. Esta garantía no cubre ningún costo ni cargo asociado a la mano de obra (incluyendo, pero sin limitarse a, los cargos del electricista) que se requiera para instalar, retirar o reponer un ventilador o cualquiera de sus partes.

Esta garantía no cubre ninguna pérdida o daño resultante de (i) desgaste normal o alteración, mal uso, abuso o negligencia, o (ii) instalación, operación, reparación o mantenimiento incorrectos por el comprador original o un tercero, incluso sin limitación del suministro de tensión o sobrecarga de alimentación, uso de piezas o accesorios inadecuados, reparación no autorizada (realizada o intentada) o falta de mantenimiento al ventilador.

LAS GARANTÍAS ANTERIORES ESTABLECEN LA OBLIGACIÓN DE GARANTÍA TOTAL DE PROGRESS LIGHTING Y EL ÚNICO Y EXCLUSIVO REMEDIO DEL COMPRADOR ORIGINAL RELACIONADO CON DICHOS PRODUCTOS. PROGRESS LIGHTING NO ES RESPONSABLE POR NINGÚN DAÑO (SEAN INDIRECTOS, ESPECIALES, INCIDENTALES O CONSECUENTES) DEBIDO A FALLAS DEL PRODUCTO, YA SEAN DERIVADAS DE INCUMPLIMIENTO DE LA GARANTÍA O DEL CONTRATO, O DE CUALQUIER OTRA CAUSA. ESTA GARANTÍA SE OTORGA EN LUGAR DE TODAS LAS DEMÁS, YA SEAN EXPRESAS O IMPLÍCITAS, INCLUIDAS LAS GARANTÍAS DE COMERCIABILIDAD, IDONEIDAD PARA UN PROPÓSITO EN PARTICULAR O NO INFRACCIÓN.

Algunos estados no permiten limitaciones en la duración de una garantía implícita ni exclusión o limitaciones de daños incidentales o consecuentes, así que las exclusiones o limitaciones anteriores pudieran no aplicarse a su caso. Esta garantía le otorga derechos específicos y es posible que usted tenga otros, que varían de estado a estado.

Fecha de compra _____

Tienda donde se compró _____

Modelo UL N°. P250009

Número de serie _____

Proveedor N°. 111017

UPC 785247249442

785247249428



Normas de seguridad	1
Cómo desempacar el ventilador	2
Cómo instalar el ventilador	3
Cómo hacer las conexiones eléctricas	6
Cómo usar el ventilador	11
Cuidado del ventilador	12
Solución de problemas	12
Especificaciones	13

Tabla de contenido

LEE Y GUARDA ESTAS INSTRUCCIONES

1. Para disminuir el riesgo de descarga eléctrica, antes de comenzar la instalación asegúrate de que la electricidad ha sido cortada en el cortacircuitos o en la caja de fusibles.
2. Todo el cableado tiene que cumplir con el Código Nacional de Electricidad ANSI/NFPA 70-1999 y con los códigos locales de electricidad. La instalación eléctrica debe hacerse por un electricista calificado con licencia.
3. CUIDADO: Para reducir el riesgo de lesiones físicas, usa sólo los tornillos suministrados con la caja de distribución.
4. La caja eléctrica y estructura de soporte tienen que montarse de forma segura para poder sostener con confianza 35 lb. (15.9 kg). Usa solo cajas eléctricas aprobadas por cUL y marcadas como “apropiadas para sostener ventiladores de 35 lb (15.9 kg) o menos”.
5. CUIDADO: El ventilador tiene que montarse con al menos 7 pies (2.13 m) de separación entre el borde trasero de las aspas y el piso.
6. No esperes a que el ventilador se detenga antes de presionar el botón de reversa. Si el ventilador no está en movimiento, no cambiará de dirección.
7. Evita colocar objetos en la trayectoria de las aspas.
8. Para evitar lesiones personales o daños al ventilador y otros artículos, ten cuidado al limpiarlo o al trabajar cerca de él.
9. No usar agua ni detergentes para limpiar el ventilador o las aspas. Para limpiar, casi siempre será adecuado un paño seco o ligeramente humedecido con que quitar el polvo.
10. Después de concluir con las conexiones eléctricas, debes voltear los conductores empalmados hacia arriba y empujarlos con cuidado hacia dentro de la caja de distribución. Los cables deben estar separados, con el cable y el conductor a tierra del equipo hacia uno de los lados de la caja eléctrica y el conductor sin conexión a tierra hacia el lado opuesto.
11. Los diagramas eléctricos son solo para referencia. Los kits de luces que no vienen en la caja del ventilador tienen que estar aprobados por cUL y marcados como apropiados para usar con el modelo de ventilador que estás instalando. Los interruptores deben ser interruptores cUL de uso general. Consulta las instrucciones que vienen con los kits de luces e interruptores para un montaje apropiado.
12. Antes de la instalación, todos los tornillos de fijación tienen que comprobarse y reajustarse donde sea necesario.
13. ADVERTENCIA: Para reducir el riesgo de incendio o descarga eléctrica, este ventilador solo debe usarse con el control de velocidad de ventilador con número de pieza DP-51R, fabricado por DAWNSUN ELECTRONIC TECHNOLOGY CO LTD ZHONGSHAN.
14. Puede usarse en lugares húmedos. Usar solo con kits de luces marcados como “adecuados para uso en lugares húmedos”.

ADVERTENCIA

PARA REDUCIR EL RIESGO DE INCENDIO, DESCARGA ELÉCTRICA U OTRAS LESIONES, INSTALA SÓLO EN UNA CAJA ELÉCTRICA CLASIFICADA COMO “APROPIADA PARA SOSTENER VENTILADORES DE 35 LB (15.9 KG) O MENOS”, Y USA SÓLO LOS TORNILLOS INCLUIDOS CON LA CAJA ELÉCTRICA.

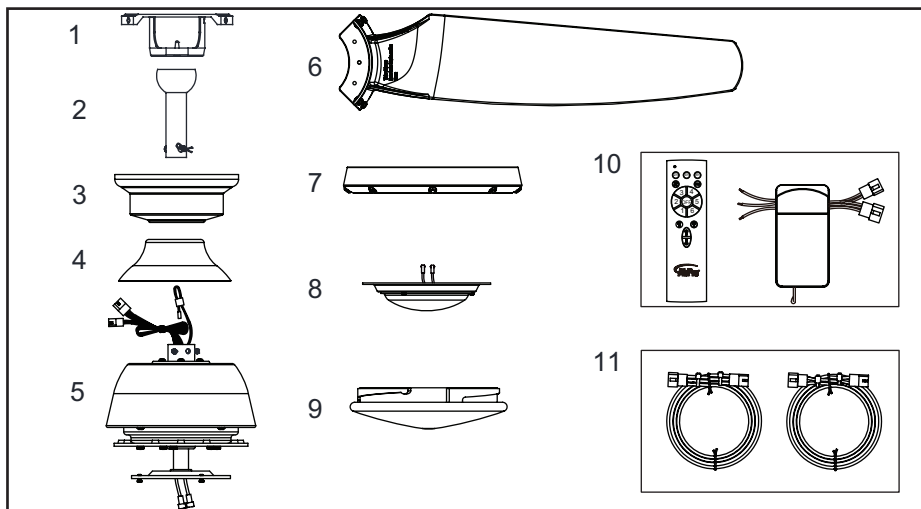
ADVERTENCIA

PARA REDUCIR EL RIESGO DE LESIONES PERSONALES, NO DOBLES LOS BRAZOS DE LAS ASPAS (TAMBIÉN LLAMADOS “REBORDES”) NI DURANTE NI DESPUÉS DE LA INSTALACIÓN. NO COLOCAR OBJETOS EN LA TRAYECTORIA DE LAS ASPAS.

ADVERTENCIA

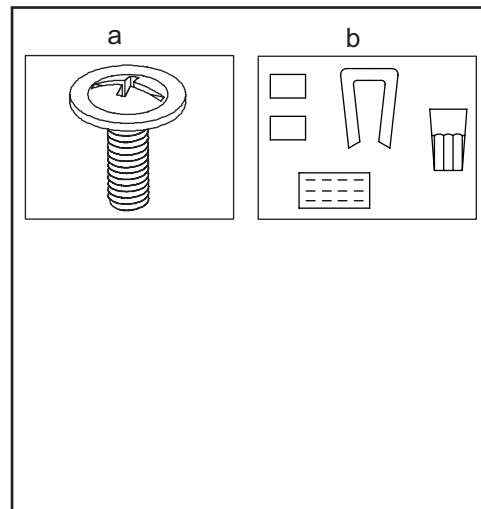
PARA REDUCIR EL RIESGO DE DESCARGA ELÉCTRICA, ESTE VENTILADOR TIENE QUE INSTALARSE CON UN CONTROL/INTERRUPTOR DE AISLAMIENTO.

1. Normas de seguridad



Desempaca tu ventilador y revisa el contenido. Debes tener los siguientes artículos:

- | | |
|--|--|
| 1. Soporte de montaje (dentro de la cubierta) | 6. Aspas (4) |
| 2. Conjunto de tubo bajante/esfera de 6" (15.2 cm) (con pasadores de soporte y de cierre prefijados) | 7. Carcasa del kit de luces |
| 3. Cubierta con aro de cubierta (acoplado) | 8. Conjunto del soporte del kit de luces |
| 4. Cubierta decorativa del collarín del motor | 9. Pantalla de vidrio |
| 5. Conjunto del motor del ventilador | 10. Transmisor y receptor |
| | 11. Extensión de cable terminal |



- a. **Herrajes de montaje de aspas** (13 tornillos)
- b. **Kit de compensación y componentes eléctricos** (3 conectores plásticos de cable, kit de compensación de aspas)
- "

2. Cómo desempacar el ventilador

Herramientas necesarias

Destornillador Phillips o de punta plana, llave ajustable, escalera de tijera y cortacables.



Opciones de montaje

Si no hay una caja eléctrica presente, lee las siguientes instrucciones. **Desconecta la energía retirando los fusibles o apagando los cortacircuitos.**

Asegura la caja eléctrica directamente a la estructura de la edificación. Usa sujetadores y materiales de construcción apropiados. La caja eléctrica y su soporte tienen que poder sostener todo el peso en movimiento del ventilador (al menos 35 lb = 15.9 kg).

No uses cajas eléctricas de plástico.

ADVERTENCIA

PARA REDUCIR EL RIESGO DE INCENDIO, DESCARGA ELÉCTRICA U OTRAS LESIONES, INSTALA SÓLO EN UNA CAJA ELÉCTRICA CLASIFICADA COMO "APROPIADA PARA SOSTENER VENTILADORES DE 35 LB (15.9 KG). O MENOS", Y USA SÓLO LOS TORNILLOS INCLUIDOS CON LA CAJA ELÉCTRICA. LAS CAJAS ELÉCTRICAS UTILIZADAS COMÚNMENTE PARA EL SOPORTE DE ARTÍCULOS DE ILUMINACIÓN PUEDEN NO SERVIR COMO UN SOPORTE DE VENTILADOR, Y TAL VEZ DEBAN REEMPLAZARSE. EN CASO DE DUDA, CONSULTA A UN ELECTRICISTA CALIFICADO.

Las figuras 1, 2 y 3 ejemplifican diferentes maneras de montar la caja eléctrica.

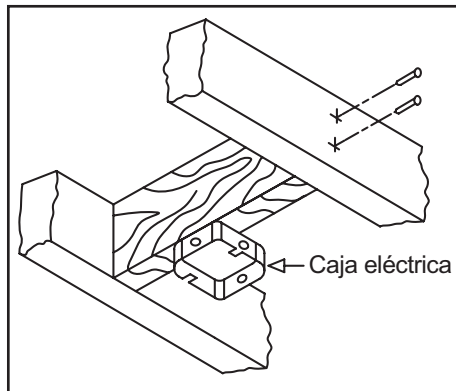


Figura 1

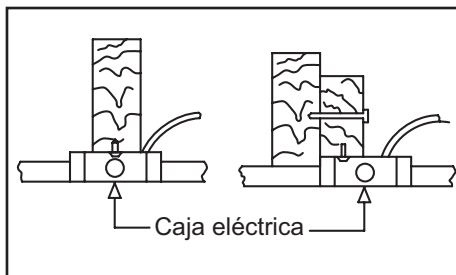


Figura 2

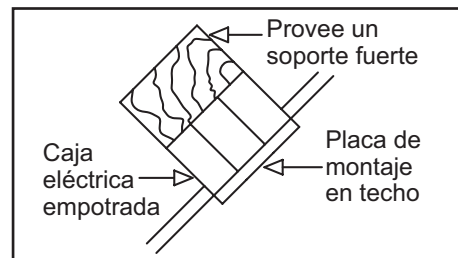


Figura 3

Nota: Tal vez necesites un tubo bajante más largo para mantener la altura mínima adecuada de las aspas al instalar el ventilador en un techo de inclinación pronunciada. **El ángulo máximo permitido es 20°.** Si la cubierta toca el tubo bajante, **retira la cubierta inferior decorativa y gira la cubierta 180° antes de fijarla a la placa de montaje.**

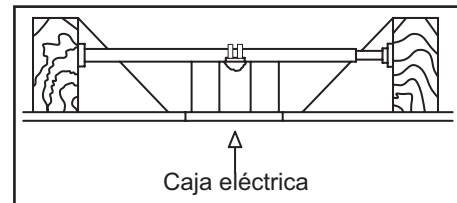


Figura 4

Para colgar el ventilador donde haya una lámpara, pero ninguna viga de techo, tal vez necesites una barra colgante de instalación como se muestra en la Figura 4.

3. Cómo instalar el ventilador

Cómo colgar el ventilador

RECUERDA cortar el suministro de electricidad. Sigue los pasos más abajo para colgar correctamente tu ventilador.

NOTA: Se recomienda instalar este ventilador en techo interior estándar usando el tubo bajante incluido. Cuando uses una instalación de techo estándar con el tubo bajante de 6 plg (15.2 cm) suministrado, la distancia desde el techo a la parte inferior de las aspas será de unas 14 plg (35.6 cm).

Montaje estándar en techo

1. Retira el aro de la cubierta, girándolo en sentido contrario a las agujas del reloj hasta que se libere. (Figura 5)
2. Retira el soporte de montaje de la cubierta aflojando los cuatro tornillos en la parte superior de ella. Quita los dos tornillos sin ranura y afloja los tornillos ranurados. Esto te permitirá retirar el soporte de montaje (Figura 6)
3. Retira los pasadores de soporte y de cierre en el conjunto del tubo bajante.
4. Inserta los cables que salen por la parte superior del motor del ventilador, a través de la cubierta decorativa del collarín del motor y enseguida por el aro de la cubierta. Asegúrate de que las ranuras queden en la parte superior. Inserta los cables a través de la cubierta y enseguida a través del conjunto del tubo bajante y esfera. (Figura 7)

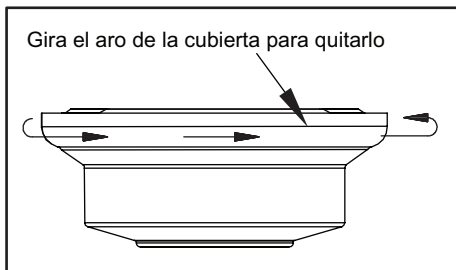


Figura 5

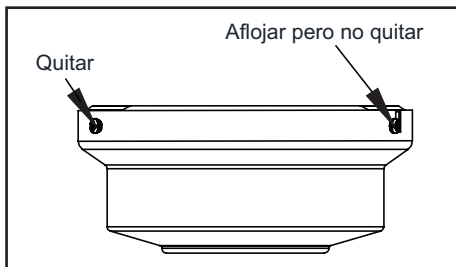


Figura 6

5. Afloja, sin quitarlos, los tornillos de fijación en el collarín de la parte superior de la carcasa de motor.
6. Alinea los orificios en la parte inferior del tubo bajante con aquellos del collarín en la parte superior de la carcasa de motor. (Figura 7) Inserta con cuidado el pasador de soporte a través de los orificios del collarín y del tubo bajante. Ten cuidado de no apretar contra el cableado dentro del tubo bajante. Inserta el pasador de cierre en el orificio cercano al extremo del perno hasta que encaje en su posición, como se muestra en el círculo de la Figura 7.

7. Vuelve a apretar los tornillos del collarín en la parte superior de la carcasa del motor.
8. Asegúrate de que el ojal quede instalado correctamente en la cubierta del collarín y desliza enseguida la cubierta del collarín por el tubo bajante hasta quedar sobre la carcasa del motor. Asegúrate de que tanto la cubierta como la cubierta del collarín estén orientadas correctamente.
9. Pasa a la sección "Cómo instalar el ventilador".

ADVERTENCIA

SI NO INSTALAS BIEN LOS TORNILLOS DE FIJACIÓN, COMO SE INDICA EN EL PASO 7, PUEDEN AFLOJARSE Y POSIBLEMENTE SE CAERÁ EL VENTILADOR.

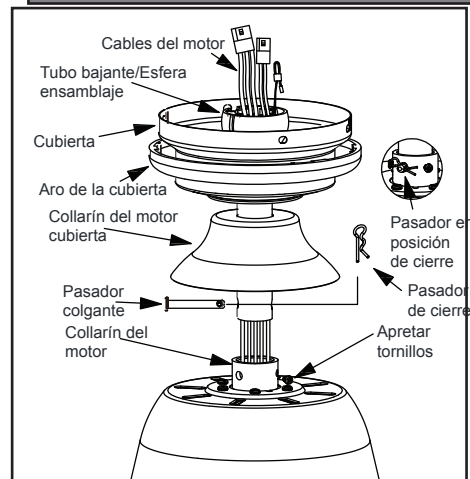


Figura 7

Cómo instalar el ventilador en la caja eléctrica

ADVERTENCIA

EN EL MONTAJE ESTÁNDAR DE TUBO BAJANTE/ESFERA, LA PESTAÑA EN EL ARO DE LA PARTE INFERIOR DEL SOPORTE DE MONTAJE TIENE QUE ENCAJAR EN LA RANURA DE LA ESFERA DE SOPORTE. SI NO ENCAJA BIEN LA PESTAÑA EN LA RANURA, PUEDE DAÑARSE EL CABLEADO.

1. Pasa los cables de alimentación de 120 V a través del orificio central en el soporte de montaje de techo como muestra la Figura 8.
2. Instala el soporte de montaje de techo sobre la caja eléctrica, usando los tornillos de montaje incluidos. Nota que el lado plano del soporte de montaje está hacia la caja eléctrica. (Figura 8)
3. Aprieta bien los dos tornillos en la caja eléctrica.
4. Con cuidado alza el conjunto del ventilador hasta el soporte de montaje en el techo. Asegúrate de que la pestaña en el soporte de montaje esté bien asentada dentro de la ranura de la bola de soporte. (Figura 9)

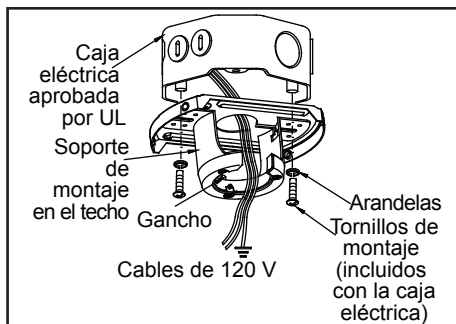


Figura 8

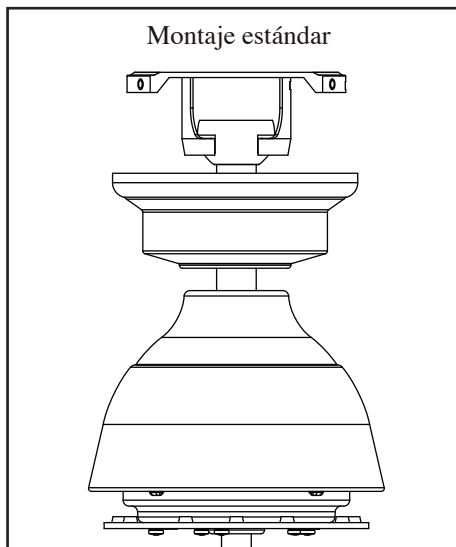


Figura 9

Cómo conectar el cable de seguridad

1. Enrosca el tornillo para madera (LL) (no incluido) en el cielo raso.
2. Coloca el extremo en bucle del cable de seguridad (S) sobre el tornillo para madera y asegúralo firmemente, o conecta el cable de seguridad directamente a la caja eléctrica. (Figura 10)

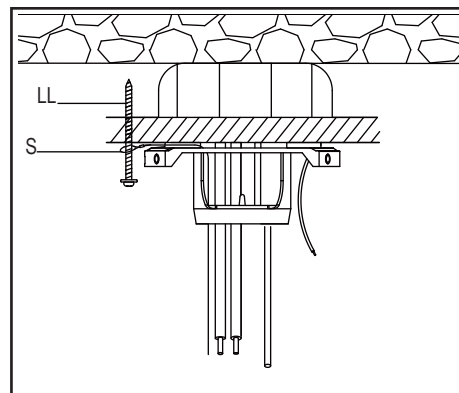


Figura 10

Instalar el receptor en el soporte de montaje

1. Colocar los cables de suministro del hogar a un lado del soporte de montaje deslizante; colocar los cables del ventilador en el lado opuesto.
2. Inserta el extremo angosto del receptor (como se muestra: el lado plano hacia el techo) en el soporte de montaje deslizante hasta dejarlo apoyado en la parte superior del conjunto de tubo bajante/esfera. (Figura 11)

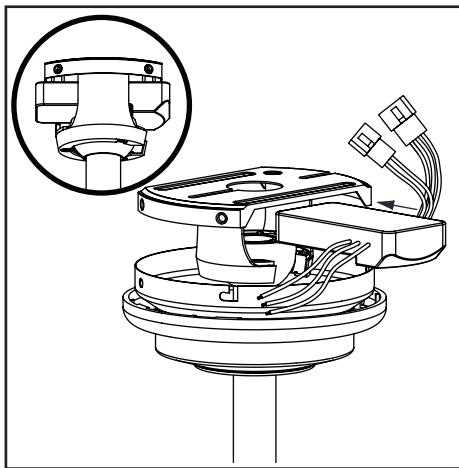


Figura 11

Cómo cablear el receptor al cableado doméstico

1. Conecte el cable verde a los cables de tierra de la casa con una tuerca de conexión de cables.
2. Conecte el cable negro del receptor al cable negro de la casa usando una tuerca de conexión de cables.
3. Conecte el cable blanco del receptor al cable blanco de la casa usando una tuerca de conexión de cables.

Cómo cablear el ventilador al receptor

1. Si usas el conjunto del tubo bajante/esfera de 6 plg (15.2 cm) incluido, conecta los cables del receptor a los cables del ventilador uniendo el enchufe del adaptador moldeado del receptor con el adaptador moldeado del conjunto motor-ventilador. (Figura 12)
2. Si deseas un tubo bajante más largo, puedes usar la extensión de cable conductor (66 plg = 168 cm) proporcionado al conectar los enchufes con adaptadores moldeados.

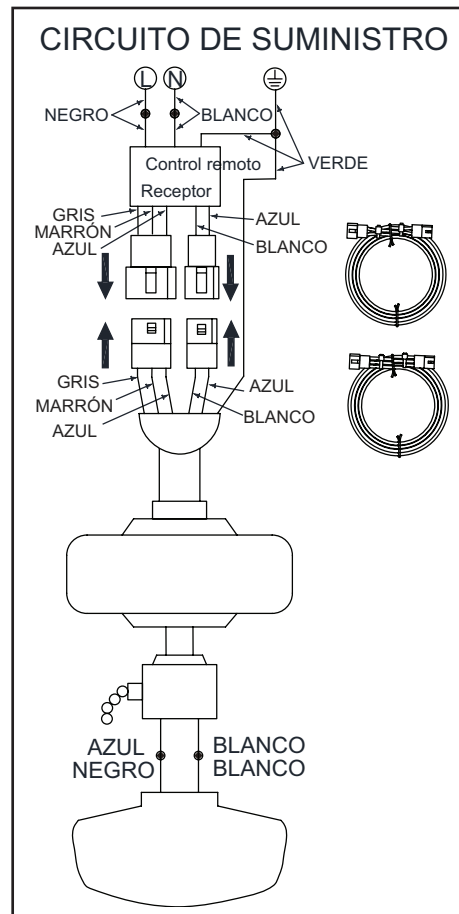


Figura 12

Cómo finalizar la instalación del ventilador

MONTAJE ESTÁNDAR EN CIELO RASO

ADVERTENCIA

EN EL MONTAJE ESTÁNDAR DE TUBO BAJANTE/ESFERA, LA PESTAÑA EN EL ARO DE LA PARTE INFERIOR DE LA PLACA DE MONTAJE TIENE QUE ENCAJAR EN LA RANURA DE LA ESFERA DE SOPORTE. SI NO ENCAJA BIEN LA PESTAÑA EN LA RANURA, PUEDE DAÑARSE EL CABLEADO.

1. Alinea las ranuras de cierre de la cubierta de techo con los dos tornillos de la placa de montaje. Empuja hacia arriba para enganchar las ranuras y gira de izquierda a derecha para asegurarlas en su lugar. Inmediatamente aprieta con firmeza los dos tornillos de montaje.
2. Instala los dos tornillos de montaje restantes en los orificios de la cubierta y aprieta firmemente.
3. Instala el aro de la cubierta decorativa alineando las ranuras del aro con los tornillos en la cubierta. Gira el aro hacia la derecha para fijarlo en su lugar.
4. Ahora puedes proceder a fijar las aspas del ventilador.

Cómo fijar las aspas del ventilador

1. Fija el asa al ensamblaje del motor del ventilador, alinea los orificios para tornillos en el asa con los orificios para tornillos arriba y debajo del ensamblaje del motor y asegura el asa con los tornillos del brazo del asa.
2. Repite este paso para ensamblar las aspas restantes.

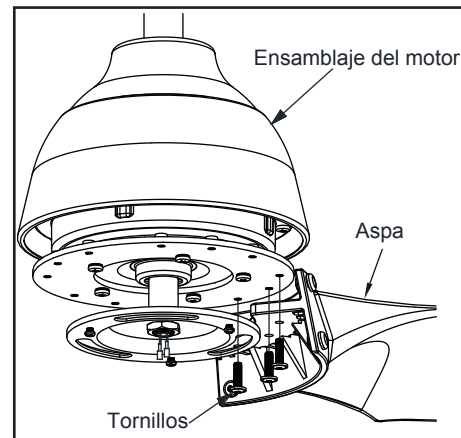


Figura 13

Cómo equilibrar las aspas

Todas las aspas se agrupan por peso. Puesto que los materiales varían en densidad, el ventilador puede oscilar aunque las aspas tengan el mismo peso.

El siguiente procedimiento corregirá en gran medida la oscilación del ventilador. Verifica después de cada paso.

1. Verifica que todos los tornillos de las aspas estén asegurados.
2. La mayoría de los problemas de oscilación del ventilador se deben a que las aspas no están al mismo nivel. Verifica este nivel seleccionando un punto en el techo sobre la punta de una de las aspas. Mide desde un punto en el centro de cada aspa al punto en techo. Mide esta distancia como muestra la Figura 14. Gira el ventilador hasta que la siguiente aspa quede en posición para medir. Repite el procedimiento para cada aspa. Las desviaciones de la medición no deben pasar de $1/8''$ (3.2 mm). Enciende el ventilador por 10 minutos.
3. Asegúrate de que la cubierta esté bien fijada al soporte de montaje en el techo y de que este último esté bien fijado a la caja eléctrica.
4. Intercambiar dos aspas adyacentes puede redistribuir el peso y posiblemente mejorar el funcionamiento.
5. Usa el kit de compensación de aspas adjunto si sigues notando oscilación.

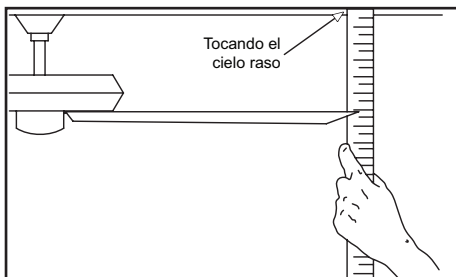


Figura 14

Cómo instalar la carcasa del kit de luces/conjunto del soporte del kit de luces/pantalla de vidrio

PRECAUCIÓN - Para reducir el riesgo de descarga eléctrica, desconecta el circuito eléctrico de alimentación al ventilador antes de instalar el kit de luces.

1. Afloja, pero no quites, dos de los tres tornillos de montaje del conjunto motor-ventilador; retira un tornillo de montaje. (Figura 15)
2. Empuja la carcasa del kit de luces hasta el conjunto motor-ventilador de manera que las cabezas de los dos tornillos aflojados encajen en las ranuras tipo ojo de cerradura. Gira la carcasa del kit de luces hacia la derecha y aprieta los tornillos. Vuelve a instalar el tornillo que retiraste en el paso 1 y apriétalo firmemente. (Figura 15)
3. Quita un tornillo de la carcasa del kit de luces y afloja, pero no quites, los otros dos. Conecta los cables del conjunto del soporte del kit de luces a los cables del conjunto motor-ventilador uniendo los enchufes moldeados del adaptador. Coloca con cuidado todos los cables y empalmes dentro de la caja del interruptor. (Figura 16)

4. Empuja el conjunto del soporte del kit de luces hacia arriba de manera que las cabezas de los dos tornillos aflojados encajen en las ranuras tipo ojo de cerradura. Gira el conjunto del soporte kit de luces hacia la derecha y aprieta los tornillos. Vuelve a instalar el tornillo que retiraste en el paso 3 y apriétalo firmemente. (Figura 16)
5. Coloca la pantalla de vidrio dentro de la carcasa del kit de luces alineando las tres áreas planas en la parte superior de la pantalla con las tres muescas salientes en la carcasa. Gira la pantalla de vidrio de izquierda a derecha hasta que se detenga. (Figura 17)

NOTE

VERIFICA CON FRECUENCIA QUE LA PANTALLA DE VIDRIO ESTÉ AJUSTADA POR COMPLETO DE IZQUIERDA A DERECHA EN EL ENSAMBLAJE DE LA CARCASA DEL KIT DE LUACES.

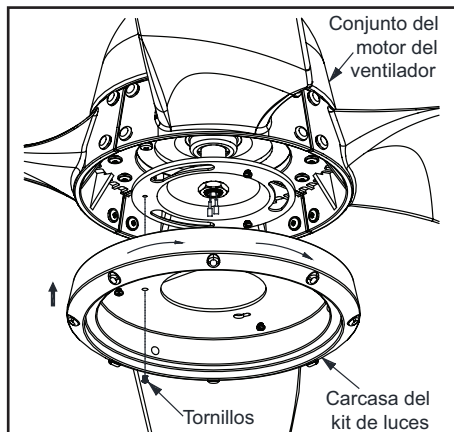


Figura 15

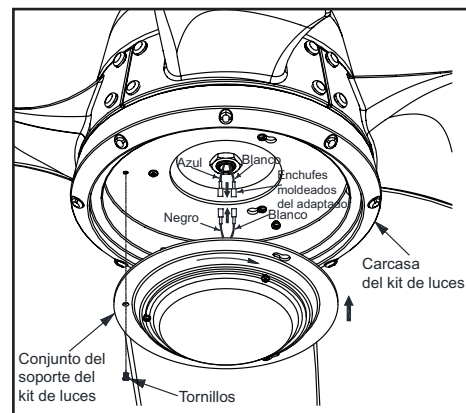


Figura 16

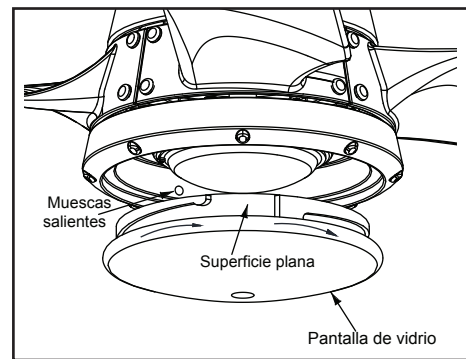


Figura 17

Cómo preparar el control remoto

NOTA: El control remoto ya ha sido configurado con el ventilador de techo para tu conveniencia. Si tienes dos ventiladores del mismo modelo en tu hogar, sigue los pasos de abajo para controlar cada ventilador por separado.

1. Quita la cubierta de la batería presionando con firmeza sobre la flecha y deslizando la cubierta hasta liberarla.
2. Instalar dos baterías AAA (N) de 1.5 V (incluidas).
3. Desliza el interruptor del compartimiento de las baterías a la configuración “1”.
4. Confirma que la electricidad del ventilador está cortada en el interruptor de pared o en la caja del cortacircuitos.
5. Conectar la electricidad al ventilador usando el interruptor de pared o la caja del cortacircuitos.
6. Presionar y soltar el botón “Learn” en el compartimiento de la batería del control remoto dentro de los 30 segundos siguientes al retorno de la corriente eléctrica al ventilador.
7. Si la configuración es exitosa, el kit de luces del ventilador parpadeará y las aspas comenzarán a girar.
8. Coloca de nuevo la cubierta en el control remoto.

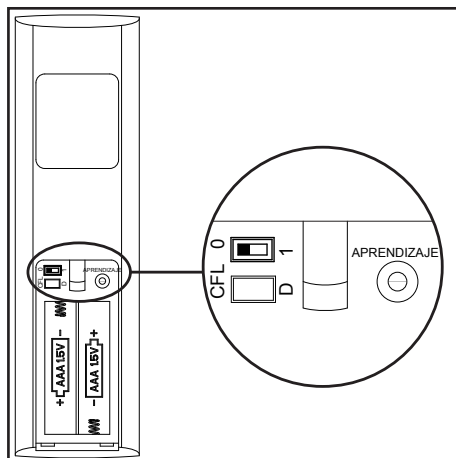


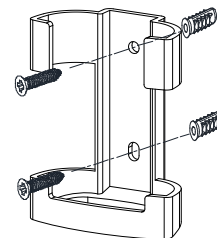
Figura 18

Montaje del soporte del control remoto



NOTA: Se incluyen anclajes de pared de tornillo para soporte adicional. Los tornillos incluidos están diseñados para atornillarse fácilmente en la pared. Si deseas una sujeción más permanente o segura, instala los anclajes de pared antes de fijar el soporte a la pared.

- Coloca el soporte para pared en la posición deseada y fíjalo a la pared con los tornillos incluidos.



10. Control remoto

Control remoto

Temporizador:

Con el ventilador encendido, oprime el botón 2h para activar el temporizador con 2 horas de funcionamiento.

Con el ventilador encendido, oprime el botón 4h para activar el temporizador con 4 horas de funcionamiento.

Con el ventilador encendido, oprime el botón 8h para activar el temporizador con 8 horas de funcionamiento.

Hacia adelante/reversa:

Cambia la dirección del ventilador de techo.

Breeze:

Oprime y suelta este botón para activar la función Breeze [Brisa]; esto hará que la velocidad del ventilador cambie aleatoriamente, imitando una brisa relajante.

Velocidad del ventilador:

Las luces LED en el botón de velocidad del ventilador indicarán aquella correspondiente.

Presionar y soltar 1: convierte la velocidad del ventilador a 1.

Presionar y soltar 2: convierte la velocidad del ventilador a 2.

Presionar y soltar 3: convierte la velocidad del ventilador a 3.

Presionar y soltar 4: convierte la velocidad del ventilador a 4.

Presionar y soltar 5: convierte la velocidad del ventilador a 5.

Presionar y soltar 6: convierte la velocidad del ventilador a 6.

Ventilador APAGADO:

Apaga el ventilador

ENCENDIDO Y APAGADO de luces (ON/OFF)

Oprime y suelta el botón de luz encendida para encender la luz.

Oprime y suelta el botón de luz apagada para apagar la luz.

Regulador de intensidad:

Oprime y mantén presionado el botón superior de regulación de intensidad para incrementar al nivel de luz deseado.

Oprime y mantén presionado el botón inferior de regulación de intensidad para disminuir al nivel de luz deseado.

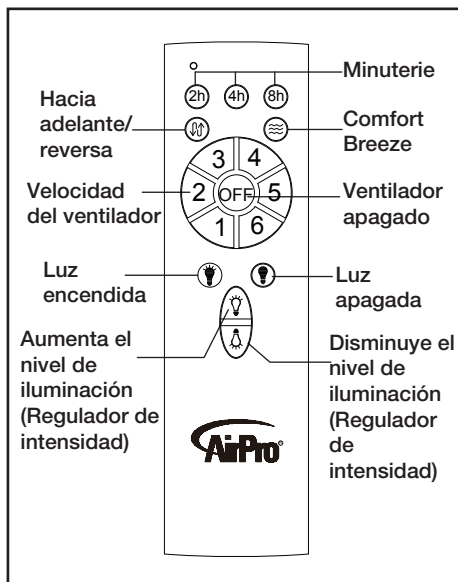


Figura 19

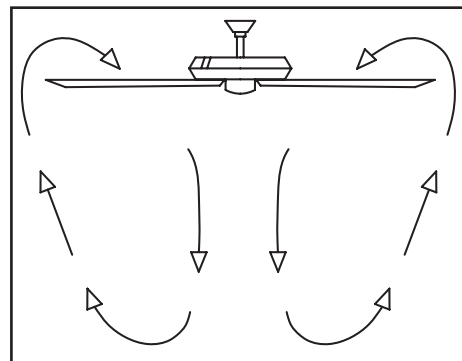


Figura 20

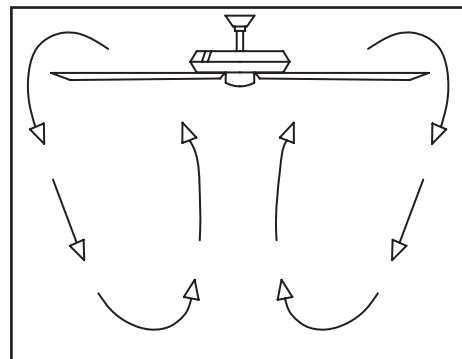


Figura 21

Clima cálido - (Hacia adelante) Un flujo de aire hacia abajo surte efecto refrescante, como se muestra en la Figura 20. Esto permite fijar tu aire acondicionado en una configuración más alta sin afectar tu comodidad.

Clima frío - (Reversa) Un flujo de aire hacia arriba desplaza el aire cálido lejos del techo, como se muestra en la Figura 21. Esto permite fijar tu unidad de calefacción en una configuración más baja sin afectar tu comodidad.

Cuidado del ventilador

Aquí tienes algunas sugerencias para el mantenimiento de tu ventilador.

1. Debido al movimiento natural del ventilador, algunas conexiones pueden aflojarse. **Revisa las conexiones de soporte, los soportes y los accesorios de aspas dos veces al año.** Comprueba que estén seguros. **(No es necesario desmontar el ventilador del cielo raso).**
2. Hay que limpiar el ventilador con frecuencia para que luzca como nuevo al paso de los años. No uses agua al limpiar; esto puede dañar el motor e incluso provocar descargas eléctricas. Usa sólo un cepillo suave o un paño sin pelusas para evitar arañar el acabado. El revestimiento está sellado con laca para minimizar la decoloración u opacidad. **Advertencia - Asegura que la electricidad esté cortada antes de limpiar tu ventilador.**
3. Puedes aplicar a la madera una fina capa de pulimento para muebles y dar así más protección y belleza. Cubre los arañazos pequeños con una leve aplicación de lustrador para calzado.
4. **Tu ventilador no necesita lubricación.** El motor tiene cojinetes de bola sellados y permanentemente lubricados.

Solución de problemas

Problema

El ventilador no enciende

Solución

1. Verifica los fusibles o disyuntores principales y secundarios.
2. Verifica las conexiones de cables en línea al ventilador y de cables del interruptor en la caja de interruptores. **CUIDADO: Asegúrate de que la fuente principal de electricidad esté apagada.**
3. Verifica las baterías en el transmisor. ¿Se enciende la luz LED roja? ¿Estás lo suficientemente cerca del ventilador? (El rango normal es de 10-20 pies = 3 a 6 metros.) ¿Coinciden las configuraciones del interruptor en el transmisor (unidad de mano) y en el receptor? **RECUERDA CORTAR LA ELECTRICIDAD ANTES DE VERIFICAR LAS CONFIGURACIONES DEL INTERRUPTOR EN EL RECEPTOR.**

El ventilador hace ruido

1. Asegúrate de que los tornillos de la carcasa del motor estén bien ajustados.
 2. Asegúrate de que los tornillos que unen el soporte de aspa al cuerpo del motor estén bien ajustados.
 3. Asegúrate de que las conexiones de tuerca de cable no choquen unas con otras ni con la pared interior de la caja del interruptor. **PRECAUCIÓN: Asegúrate de que la electricidad está desconectada.**
 4. Deja que transcurra un período de “adaptación” de 24 horas. La mayoría de los ruidos asociados a un ventilador nuevo desaparecen en ese período.
 5. Si usas el kit de luces de ventilador de techo, asegúrate de que los tornillos que sujetan el vidrio estén bien apretados. Verifica así mismo que la bombilla esté bien fijada.
 6. Asegúrate de que la cubierta esté a corta distancia del techo. No debe tocar el techo.
 7. Asegúrate de que tu caja eléctrica esté bien segura y de que se hayan instalado almohadillas aislantes de goma entre el soporte de montaje y la caja de distribución.
- ADVERTENCIA**

ASEGÚRATE DE QUE NO HAYA CORRIENTE EN EL PANEL DE ELÉCTRICO ANTES DE INTENTAR HACER REPARACIONES. CONSULTA LA SECCIÓN “CÓMO HACER CONEXIONES ELÉCTRICAS”.

12. Cuidado del ventilador y solución de problemas

TAMAÑO DEL VENTILADOR	VELOCIDAD	VOLTIOS	POTENCIA DEL VENTILADOR CONSUMO (SIN LUCES) VATIOS	FLUJO DE AIRE CFM	EFICIENCIA DE FLUJO DE AIRE (MÁS ALTO ES MEJOR) CFM/W	PESO NETO	PESO BRUTO	PIES CÚBICOS
1.42 m	Baja	120	1.77	2798	1581	16.76 Lbs	21.17 Lbs	2.55
	Alta		20.5	7801	381			

Este equipo fue sometido a prueba y se determinó que cumple con los límites establecidos para un dispositivo digital Clase B según la Parte 15 de las Normas FCC. Estos límites fueron establecidos para dar protección razonable contra la interferencia dañina en uso residencial. Este equipo genera, consume y puede irradiar energía de radiofrecuencia; si no se instala y usa de acuerdo con las instrucciones, puede causar interferencia nociva a comunicaciones radiales. Sin embargo, no hay garantía de que no ocurrirá interferencia en cierta instalación particular. Si este equipo causa interferencia perjudicial a la recepción de radio o televisión, que puede determinarse encendiendo y apagando el equipo, se recomienda al usuario tratar de corregir la interferencia con una o más de las siguientes medidas:

- Reorientar o reubicar la antena receptora.
- Incrementar la distancia entre los equipos y el receptor.
- Conectar el equipo a un tomacorriente en circuito distinto del receptor.
- Pedir asistencia al concesionario o a un técnico de radio/TV con experiencia.

PRECAUCIÓN:

Los cambios o modificaciones sin aprobación expresa del responsable de este dispositivo podrían anular el derecho del usuario a operar el equipo.

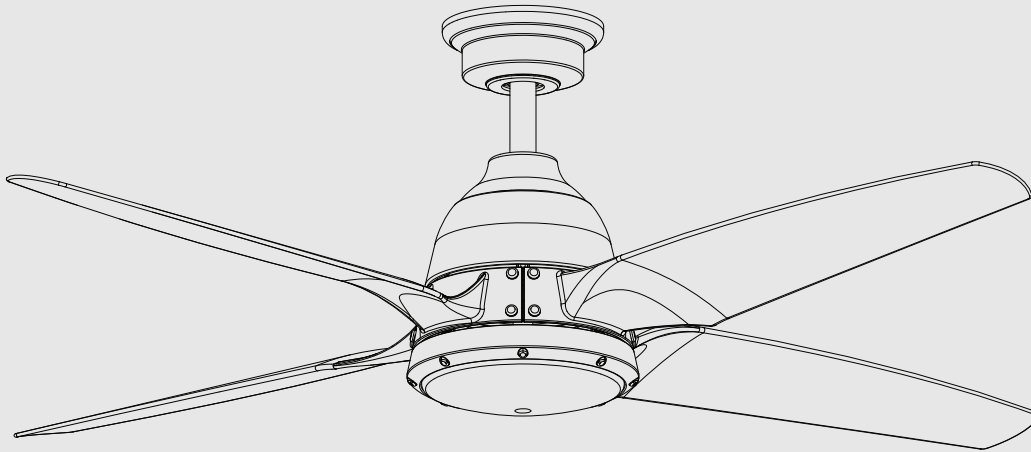
Este dispositivo cumple con la Parte 15 de las Normas FCC. Su operación está sujeta a las dos condiciones siguientes: (1) Este dispositivo no debe causar interferencia dañina y (2) tiene que aceptar cualquier interferencia recibida, incluyendo aquella que pudiera afectar su funcionamiento.

©2017 Progress Lighting, Inc.
701 Millennium Blvd.,
Greenville, SC 29607
Todos los derechos reservados

13. Especificaciones



Guide d'installation du ventilateur de plafond



Garantie à vie limitée

Progress Lighting garantit à l'acheteur original que ses moteurs de ventilateur sont exempts de tout défaut de fabrication et de matériaux pour aussi longtemps qu'il possède le ventilateur. Les interrupteurs à chaîne (tirette), les sélecteurs d'inversion, les condensateurs et les finis en métal sont garantis exempts de tout défaut de matériaux ou de fabrication pendant une période d'un an à compter de la date d'achat. La déformation des pales en bois ou plastique n'est pas couverte par la présente garantie, ni ne sont la corrosion ou toute détérioration des finis pour les ventilateurs installés à moins de 16 km d'une côte. Les garanties prolongées pour certains produits homologués ENERGY STAR® peuvent s'appliquer.

Les ventilateurs de plafond de Progress Lighting avec sources de lumière à DEL intégrées, s'ils sont installés correctement et dans des conditions normales d'utilisation, sont garantis contre les défauts de matériaux et de fabrication qui empêchent les sources de lumière de fonctionner conformément aux spécifications, pendant (i) cinq (5) ans à compter de la date d'achat pour les modules d'éclairage à DEL et les composants électriques des ventilateurs utilisés dans les résidences unifamiliales et (ii) trois (3) ans à compter de la date d'achat pour les modules d'éclairage à DEL et les composants électriques des ventilateurs utilisés dans les applications multifamiliales ou commerciales. Les ampoules DEL fournies par Progress Lighting ne sont couvertes par aucune garantie autre que la garantie du fabricant. Les ampoules non DEL ne sont couvertes par aucune garantie.

L'acheteur original peut retourner le ventilateur défectueux au lieu d'achat avec une preuve d'achat pendant les 30 premiers jours pour obtenir un remplacement. Au bout de 30 jours, l'acheteur original DOIT communiquer avec Progress Lighting au 864 678-1000 pour réclamer une réparation ou un remplacement, selon la seule détermination de Progress Lighting et ceci constituera le seul et unique recours de l'acheteur.

Les frais de main d'œuvre et d'expédition sont exclus. La présente garantie ne couvre pas les coûts ou frais associés à la main d'œuvre (y compris, sans s'y limiter, les honoraires de l'électricien) requise pour installer, retirer ou remplacer le ventilateur ou des pièces quelconques du ventilateur.

Cette garantie ne s'applique pas à toute perte ou tout dommage résultant de (i) une usure ou altération normale, un mauvais usage, un usage abusif ou la négligence, ou (ii) une installation, une utilisation, une réparation ou un entretien incorrect(e) par l'acheteur original ou une tierce partie, y compris mais sans s'y limiter, une tension incorrecte ou une surcharge, l'utilisation de pièces ou d'accessoires inapproprié(s), une réparation non autorisée (effectuée ou tentée), ou un manque d'entretien du ventilateur.

LES GARANTIES CI-DESSUS ÉTABLISSENT L'OBLIGATION TOTALE DE PROGRESS LIGHTING ET LE SEUL ET UNIQUE RECOURS DE L'ACHETEUR ORIGINAL EN VERTU DESDITES GARANTIES, CONCERNANT TELS PRODUITS. PROGRESS LIGHTING N'EST PAS TENUE RESPONSABLE DES DOMMAGES (Y COMPRIS LES DOMMAGES INDIRECTES, SPÉCIAUX OU ACCESSOIRES) RÉSULTANT D'UNE DÉFAILLANCE DU PRODUIT, EN RAISON D'UNE VIOLATION DE GARANTIE, D'UNE RUPTURE DE CONTRAT OU AUTRE. LA PRÉSENTE GARANTIE REMPLACE TOUTES LES AUTRES GARANTIES, EXPRESSES OU IMPLICITES, Y COMPRIS LES GARANTIES IMPLICITES DE QUALITÉ MARCHANDE ET D'APTITUDE À UN USAGE PARTICULIER OU RELATIVES À L'ABSENCE DE CONTREFAÇON.

Certains états et provinces ne permettent pas les restrictions quant à la durée d'une garantie implicite, ni l'exclusion ou la restriction des dommages indirects ou accessoires. Par conséquent, les restrictions et les exclusions mentionnées ci-dessus peuvent ne pas s'appliquer à votre cas. En vertu de la présente garantie, vous bénéficiez de droits juridiques particuliers; toutefois, d'autres droits peuvent s'appliquer, selon l'état ou la province où vous résidez.

Date d'achat _____

Magasin d'achat _____

N° de modèle cUL P250009

N° de série _____

N° de fournisseur 111017

CUP 785247249442

785247249428



Règles de sécurité	1
Déballage du ventilateur	2
Installation du ventilateur	3
Connexions électriques	6
Utilisation du ventilateur	11
Entretien du ventilateur	12
Dépannage	12
Caractéristiques	13

Table des matières

VEUILLEZ LIRE ET CONSERVER CES INSTRUCTIONS

1. Pour réduire les risques de choc électrique, assurez-vous que le courant est coupé au niveau de la boîte de disjoncteurs ou de fusibles avant de procéder à l'installation.
2. Tout le câblage doit être effectué conformément au code national de l'électricité des États-Unis ANSI/NFPA 70-1999 et aux codes électriques locaux. L'installation électrique doit être effectuée par un électricien qualifié accrédité.
3. ATTENTION : Pour réduire les risques de blessures, n'utilisez que les vis fournies avec la boîte électrique.
4. La boîte de sortie de courant et la structure de support doivent être solidement fixées et capables de supporter de manière sûre un minimum de 15,9 kg (35 lb). Utilisez uniquement des boîtes de sortie de courant homologuées cUL, portant la mention « Capable de supporter un ventilateur de 15,9 kg (35 lb) ou moins ».
5. ATTENTION : Le ventilateur doit être installé avec une distance minimale de 2,13 m (7 pi) entre le bord de fuite des pales et le sol.
6. N'attendez pas l'arrêt du ventilateur pour appuyer sur le bouton de sens inverse. Le ventilateur ne changera pas de direction s'il n'est pas en marche.
7. Évitez de placer des objets dans la trajectoire des pales.
8. Pour éviter les blessures corporelles ou les dommages au ventilateur ou d'autres objets, faites preuve de prudence en travaillant près du ventilateur ou en le nettoyant.
9. N'utilisez ni eau ni détergents pour nettoyer le ventilateur ou les pales du ventilateur. Un chiffon à poussière sec ou un linge légèrement humide conviennent en général pour le nettoyage.
10. Après avoir effectué les branchements électriques, retournez les conducteurs épissés vers le haut et insérez-les soigneusement dans la boîte électrique. Les fils doivent être écartés de façon à ce que le conducteur mis à la terre et le conducteur de mise à la terre de l'équipement soient d'un même côté de la boîte électrique et le conducteur non mis à la terre de l'autre côté de la boîte électrique.
11. Les schémas électriques sont fournis à titre indicatif seulement. Les luminaires qui ne sont pas compris avec le ventilateur doivent être homologués cUL et porter une mention stipulant qu'ils peuvent être utilisés avec ce type de ventilateur. Les interrupteurs doivent être homologués cUL pour usage général. Consultez les instructions fournies avec les luminaires et les interrupteurs pour un assemblage approprié.
12. Toutes les vis de pression doivent être vérifiées et resserrées au besoin avant l'installation.
13. AVERTISSEMENT : Pour réduire les risques d'incendie ou de choc électrique, ce ventilateur ne doit être utilisé qu'avec le dispositif de contrôle de la vitesse, pièce n° DP-51R, fabriqué par DAWNSUN ELECTRONIC TECHNOLOGY CO LTD ZHONGSHAN.
14. Convient aux emplacements humides. Utilisez uniquement avec des luminaires portant la mention « Convient aux emplacements humides ».

AVERTISSEMENT

POUR RÉDUIRE LES RISQUES D'INCENDIE, DE CHOC ÉLECTRIQUE OU DE BLESSURE CORPORELLE, INSTALLEZ SUR UNE BOÎTE DE SORTIE DE COURANT PORTANT LA MENTION « CAPABLE DE SUPPORTER UN VENTILATEUR DE 15,9 KG (35 LB) OU MOINS » ET UTILISEZ LES VIS FOURNIES AVEC LA BOÎTE DE SORTIE DE COURANT.

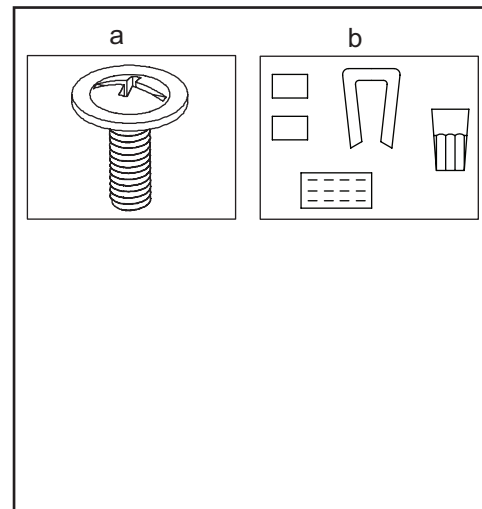
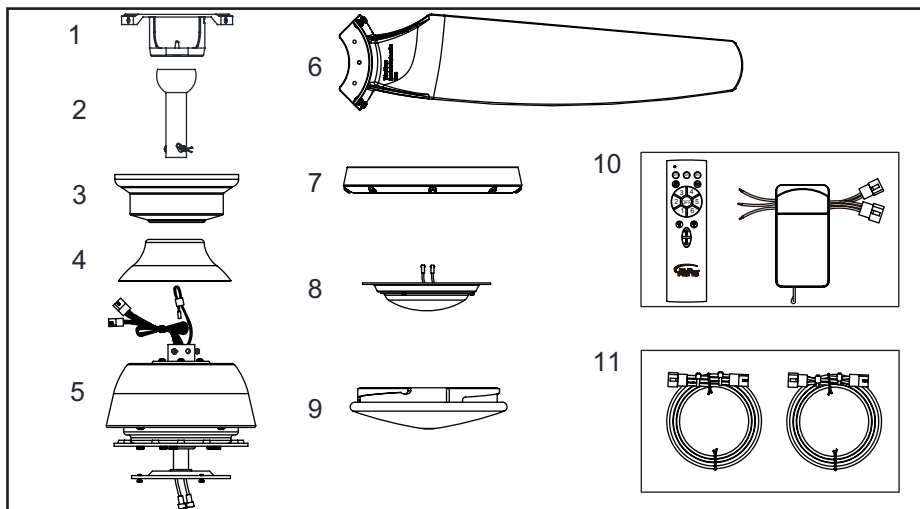
AVERTISSEMENT

POUR RÉDUIRE LES RISQUES DE BLESSURE CORPORELLE, NE PLIEZ PAS LES SUPPORTS DE PALES (AUSSI APPELÉS « BRIDES ») PENDANT L'ASSEMBLAGE OU APRÈS L'INSTALLATION. NE PLACEZ PAS D'OBJETS DANS LA TRAJECTOIRE DES PALES.

AVERTISSEMENT

POUR RÉDUIRE LE RISQUE DE CHOC ÉLECTRIQUE, CE VENTILATEUR DOIT ÊTRE INSTALLÉ AVEC UN INTERRUPTEUR/UNE COMMANDE ISOLÉ(E).

1. Règles de sécurité



Déballer votre ventilateur et vérifiez le contenu de l'emballage. Les articles suivants devraient s'y trouver :

- | | |
|---|--------------------------------|
| 1. Traverse (à l'intérieur de la monture) | 6. Pales (4) |
| 2. Ensemble boule/tige de suspension de 15,24 cm (goupille de suspension et goupille de verrouillage préfixées) | 7. Bac de luminaire |
| 3. Monture avec anneau de montage (fixé) | 8. Adaptateur de luminaire |
| 4. Couvercle décoratif du collet du moteur | 9. Abat-jour en verre |
| 5. Moteur du ventilateur | 10. Émetteur et récepteur |
| | 11. Fil conducteur de rallonge |

- a. **Quincaillerie de fixation des pales** (13 vis)
- b. **Quincaillerie électrique et trousse d'équilibrage** (3 capuchons de connexion en plastique, 1 trousse d'équilibrage des pales)
- "

2. Déballage du ventilateur

Outils requis

Tournevis cruciforme ou à empreinte fendue, clé à molette, escabeau et coupe-fils.



Options d'installation

Si une boîte électrique n'est pas déjà installée, lisez les instructions suivantes. **Coupez l'alimentation électrique en retirant les fusibles ou déclinchant les disjoncteurs.**

Fixez la boîte électrique directement à la structure du bâtiment. Utilisez les pièces de fixation et les matériaux de construction appropriés. La boîte électrique et son support doivent être en mesure de supporter le plein poids du ventilateur en mouvement (soit au moins 15,9 kg [35 lb]). **N'utilisez pas de boîtes électriques en plastique.**

AVERTISSEMENT

POUR RÉDUIRE LES RISQUES D'INCENDIE, DE CHOC ÉLECTRIQUE OU DE BLESSURE CORPORELLE, INSTALLEZ SUR UNE BOÎTE DE SORTIE DE COURANT PORTANT LA MENTION « CAPABLE DE SUPPORTER UN VENTILATEUR DE 15,9 KG (35 LB) OU MOINS » ET UTILISEZ LES VIS FOURNIES AVEC LA BOÎTE DE SORTIE DE COURANT. LA PLUPART DES BOÎTES ÉLECTRIQUES UTILISÉES COURAMMENT POUR LE SUPPORT DE LUMINAIRES NE CONVIENNENT PAS AUX VENTILATEURS ET PEUVENT DEVOIR ÊTRE REMPLACÉES. EN CAS DE DOUTE, CONSULTEZ UN ÉLECTRICIEN QUALIFIÉ.

Les Figures 1, 2 et 3 illustrent les différentes façons d'installer la boîte électrique.

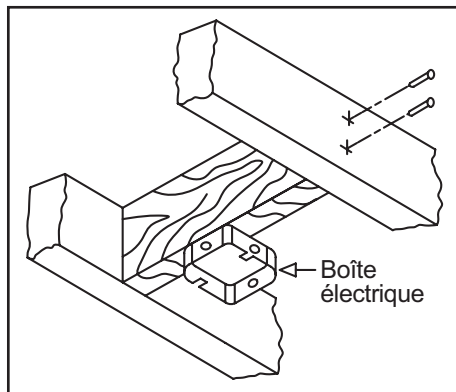


Figure 1

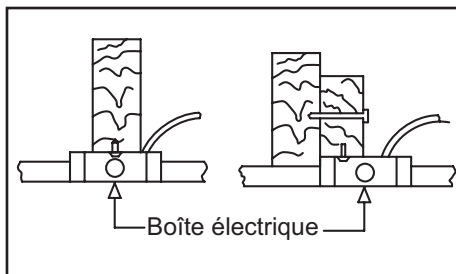


Figure 2

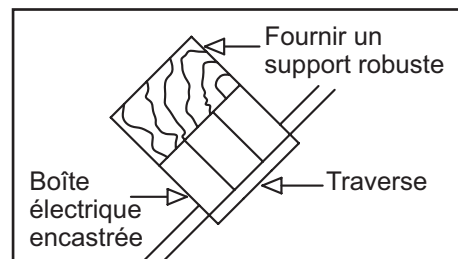


Figure 3

Remarque : Une tige de suspension plus longue peut s'avérer nécessaire pour maintenir une distance correcte entre les pales et le plafond dans le cas d'une installation sur un plafond présentant une forte pente. **L'angle maximal permis est de 20°. Si la monture touche la tige de suspension, retirez le couvercle inférieur décoratif de la monture et faites tourner la monture de 180° avant de la fixer à la traverse.**

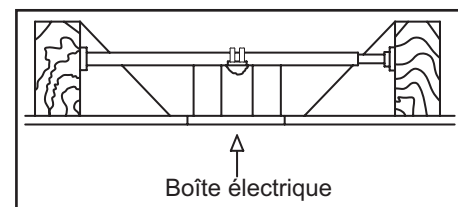


Figure 4

Pour suspendre le ventilateur là où il y a déjà un luminaire mais pas de solive, utilisez une barre de suspension comme illustré à la Figure 4.

3. Installation du ventilateur

Suspension du ventilateur

N'OUBLIEZ PAS de couper l'alimentation électrique. Suivez les étapes suivantes pour suspendre le ventilateur correctement.

REMARQUE : Ce ventilateur est recommandé pour une installation standard au plafond à l'aide de la tige de suspension fournie avec le ventilateur. Pour une installation au plafond de type normal avec la tige de suspension de 15,24 cm, la distance entre le plafond et le dessous des pales du ventilateur sera d'environ 35,56 cm.

Installation normale au plafond

1. Retirez l'anneau de montage de la monture en le tournant dans le sens antihoraire jusqu'à ce qu'il soit déverrouillé. (Figure 5)
2. Retirez la traverse de la monture en desserrant les quatre vis sur le dessus de la monture. Retirez les deux vis sans empreinte fendue et desserrez les vis à empreinte fendue. Cette étape permettra de retirer la traverse. (Figure 6)
3. Retirez la goupille de suspension et la goupille de verrouillage de la tige de suspension.
4. Faites passer les fils sortant du dessus du moteur du ventilateur par le couvercle décoratif du collet du moteur puis par l'anneau de montage. Assurez-vous que les ouvertures en fente sont orientées vers le haut. Faites passer les fils à travers la monture et ensuite à travers l'ensemble boule/tige de suspension. (Figure 7)

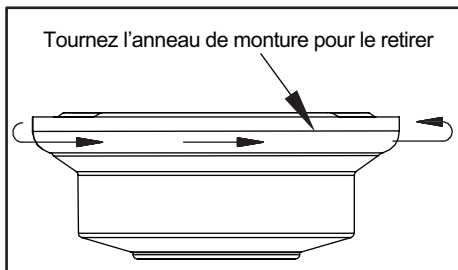


Figure 5

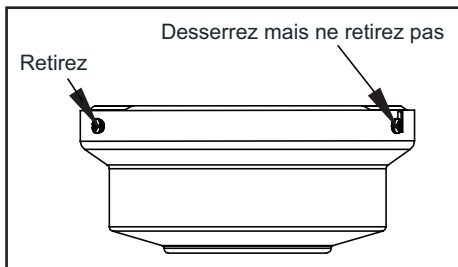


Figure 6

5. Desserrez, sans les retirer, les vis de pression du collet sur le dessus du boîtier du moteur.
6. Alignez les trous au bas de la tige de suspension avec les trous du collet sur le dessus du boîtier du moteur. (Figure 7)
Insérez avec précaution la goupille de suspension dans les orifices du collet et de la tige de suspension. Faites attention à ne pas coincer les fils à l'intérieur de la tige de suspension avec la goupille de suspension. Insérez la goupille de verrouillage dans le trou près de l'extrémité du boulon jusqu'à ce qu'elle se bloque en place, tel qu'indiqué dans le médaillon circulaire de la Figure 7.

7. Resserrez les vis de pression sur le collet sur le dessus du boîtier du moteur.
8. Assurez-vous que l'œillet est correctement fixé sur le couvercle du collet. Glissez ensuite le couvercle du collet sur la tige de suspension jusqu'à ce qu'il repose sur le boîtier du moteur. Assurez-vous que la monture et le couvercle du collet sont correctement orientés.
9. Passez à la section « Installation du ventilateur ».

AVERTISSEMENT

LE VENTILATEUR POURRAIT SE DESERRER ET POSSIBLEMENT TOMBER SI LES VIS DE PRESSION NE SONT PAS BIEN SERRÉS LORS DE L'ÉTAPE 7.

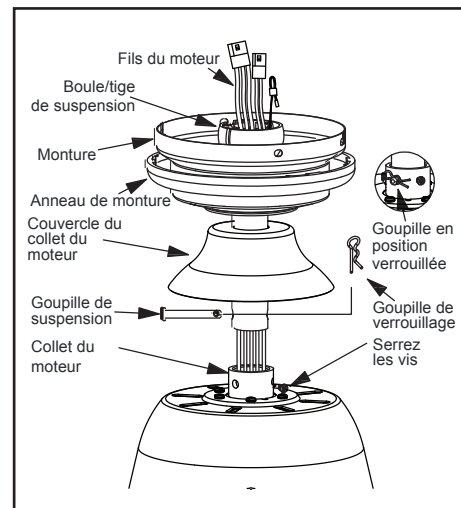


Figure 7

Installation du ventilateur sur la boîte électrique

AVERTISSEMENT

SI LA MÉTHODE D'INSTALLATION NORMALE AVEC LA BOULE ET LA TIGE DE SUSPENSION EST UTILISÉE, LA LANGUETTE DE L'ANNEAU QUI SE TROUVE AU BAS DE LA TRAVERSE DOIT REPOSER DANS LE SILLON DE LA BOULE DE SUSPENSION, LE CÂBLAGE POURRAIT ÊTRE ENDOMMAGÉ SI LA LANGUETTE N'EST PAS PLACÉE CORRECTEMENT DANS LE SILLON.

1. Faites passer les fils d'alimentation de 120 volts par l'orifice central de la traverse, tel qu'indiqué sur la Figure 8.
2. Fixez la traverse sur la boîte électrique à l'aide des vis de montage fournies avec la boîte électrique. Notez que le côté plat de la traverse est dirigé vers la boîte électrique. (Figure 8)
3. Serrez bien les deux vis sur la boîte électrique.
4. Soulevez avec précaution l'ensemble du ventilateur vers la traverse. Assurez-vous que la languette de la traverse est correctement placée dans le sillon de la boule de suspension. (Figure 9)

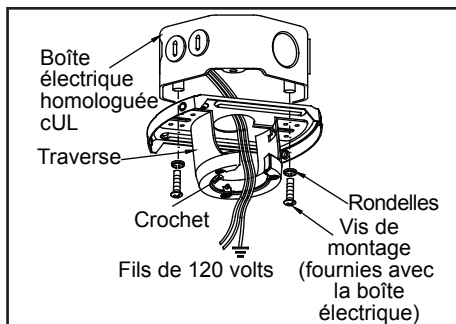


Figure 8

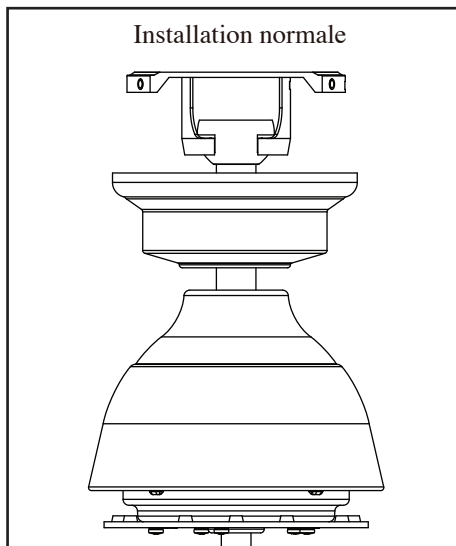


Figure 9

Installation du câble de sécurité

1. Vissez la vis à bois (LL) (non fournie) dans le plafond.
2. Enfilez la boucle terminale du câble de sécurité (S) sur la vis à bois, puis serrez bien la vis ou reliez le câble de sécurité directement à la boîte électrique. (Figure 10)

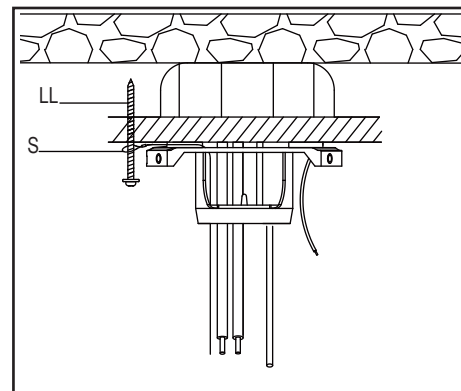


Figure 10

Installation du récepteur dans la traverse

1. Positionnez les fils du câblage d'alimentation de la maison sur un côté de la traverse à glisser; positionnez les fils du ventilateur de l'autre côté.
2. Insérez l'extrémité étroite du récepteur (tel qu'illustré, côté plat orienté vers le plafond) dans la traverse à glisser, jusqu'à ce qu'il repose sur le haut de l'ensemble boule/tige de suspension. (Figure 11)

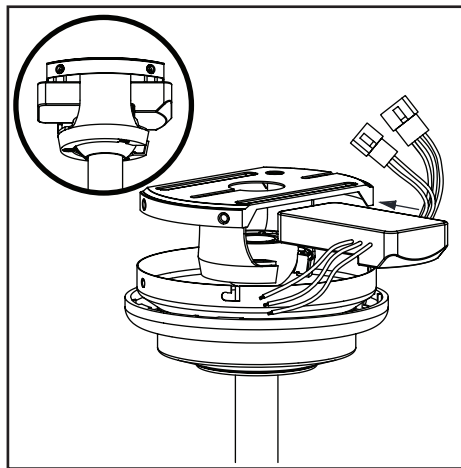


Figure 11

Câblage du récepteur au câblage domestique

1. Connectez le fil vert aux fils de terre du ménage à l'aide d'un écrou de connexion de fil.
2. Connectez le fil noir du récepteur au fil noir domestique à l'aide d'un écrou de connexion de fil.
3. Connectez le fil blanc du récepteur au fil blanc domestique à l'aide d'un écrou de connexion de fil.

Câblage du ventilateur au récepteur

1. En cas d'utilisation de la boule de suspension de 15,24 cm fournie, câblez le récepteur sur les fils du ventilateur en raccordant ensemble la fiche d'adaptation moulée du récepteur et l'adaptateur moulé du moteur du ventilateur. (Figure 12)
2. Si vous souhaitez utiliser une tige de suspension plus longue, vous pouvez vous servir du fil conducteur de rallonge (1,67 m) fourni en raccordant les adaptateurs moulés ensemble.

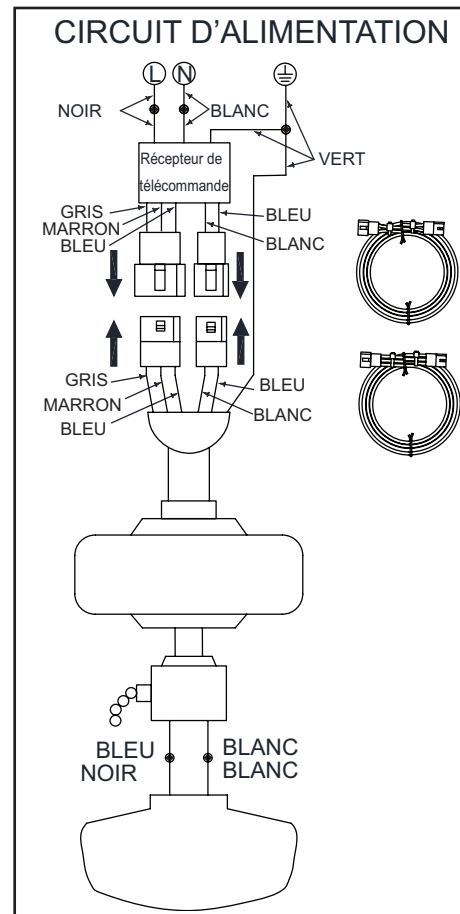


Figure 12

Achèvement de l'installation du ventilateur

INSTALLATION NORMALE AU PLAFOND

AVERTISSEMENT

SI LA MÉTHODE D'INSTALLATION NORMALE AVEC LA BOULE ET LA TIGE DE SUSPENSION EST UTILISÉE, LA LANGUETTE DE L'ANNEAU QUI SE TROUVE AU BAS DE LA TRAVERSE DOIT REPOSER DANS LE SILLON DE LA BOULE DE SUSPENSION. LE CÂBLAGE POURRAIT ÊTRE ENDOMMAGÉ SI LA LANGUETTE N'EST PAS PLACÉE CORRECTEMENT DANS LE SILLON.

1. Alignez les fentes de blocage de la monture au plafond et les deux vis de la traverse. Poussez la monture pour engager les vis dans les fentes et tournez dans le sens horaire pour verrouiller le tout en place. Serrez immédiatement les deux vis de montage à fond.
2. Placez les deux autres vis de montage dans les orifices de la monture et vissez-les bien.
3. Installez l'anneau de monture décoratif en alignant les fentes de l'anneau avec les vis de la monture. Tournez l'anneau dans le sens horaire pour le verrouiller en place.
4. Les pales du ventilateur peuvent désormais être installées.

Installation des pales du ventilateur

1. Fixez la pale sur le moteur du ventilateur en alignant les trous de vis de la pale avec les trous de vis au-dessus et en-dessous du moteur, puis fixez solidement la pale avec les vis du support de pale.
2. Répétez cette étape pour le reste des pales.

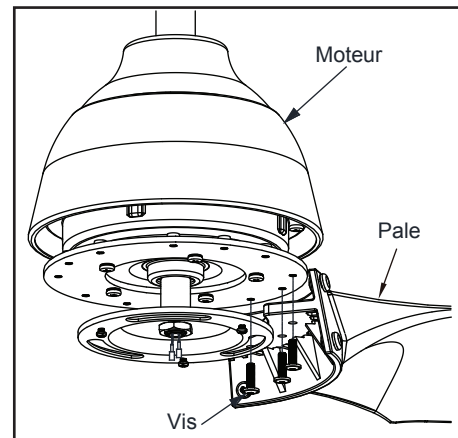


Figure 13

Équilibrage des pales

Les pales sont regroupées par poids. En raison de la variation de densité des matériaux, il se peut que le ventilateur oscille, et ce, même si les pales sont équilibrées en poids.

Les étapes suivantes devraient permettre de corriger l'oscillation du ventilateur. Effectuez une vérification après chacune des étapes.

1. Vérifiez si toutes les vis des pales sont bien serrées.
2. La plupart des problèmes d'oscillation sont causés par la hauteur inégale des pales. Vérifiez la hauteur des pales en choisissant un point au plafond, au-dessus de l'extrémité de l'une des pales. Mesurez la distance entre un point au centre de chaque pale et ce point au plafond. Mesurez cette distance de la façon illustrée à la Figure 14. Faites tourner le ventilateur pour que la pale suivante soit en position pour la mesure. Répétez pour chaque pale. Les écarts de mesures devraient être inférieurs à 3,17 mm. Faites fonctionner le ventilateur pendant 10 minutes.
3. Assurez-vous que la monture est bien serrée sur la traverse et que la traverse est également solidement serrée sur la boîte électrique.
4. L'échange réciproque de pales adjacentes peut redistribuer le poids et résulter en un fonctionnement plus en douceur.
5. Utilisez le nécessaire d'équilibrage des pales fourni si les pales oscillent toujours.

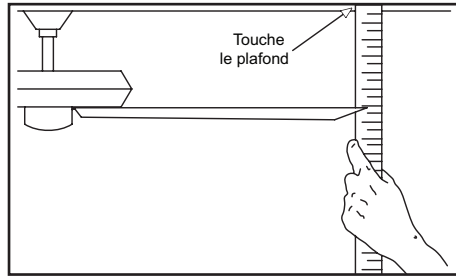


Figure 14

Installation du bac/de l'adaptateur/de l'abat-jour en verre du luminaire

ATTENTION - Pour réduire les risques de choc électrique, débranchez le circuit d'alimentation électrique avant d'installer le luminaire.

1. Desserrez, sans les retirer, deux des trois vis de montage du moteur du ventilateur; retirez une vis de montage. (Figure 15)
2. Poussez le bac de luminaire vers le haut jusqu'au moteur du ventilateur, de façon à ce que les deux têtes de vis desserrées tiennent dans les fentes en trou de serrure. Tournez le bac de luminaire dans le sens horaire et serrez les vis. Réinsérez la vis qui a été retirée à l'étape 1 et serrez-la fermement. (Figure 15)
3. Retirez une vis du bac de luminaire et desserrez mais ne retirez pas les deux autres vis. Connectez les fils de l'adaptateur de luminaire aux fils provenant du moteur du ventilateur en branchant les fiches d'adaptation moulées ensemble. Insérez soigneusement tous les fils et les épissures dans le capuchon d'interrupteur. (Figure 16)

4. Poussez l'adaptateur de luminaire vers le haut, de façon à ce que les deux têtes de vis desserrées tiennent dans les fentes en trou de serrure. Tournez l'adaptateur de luminaire dans le sens horaire et serrez les vis. Réinsérez la vis qui a été retirée à l'étape 3 et serrez-la fermement. (Figure 16)
5. Placez l'abat-jour en verre sur le bac de luminaire en alignant les trois parties plates en haut de l'abat-jour en verre avec les trois crans relevés du bac de luminaire. Tournez l'abat-jour en verre dans le sens horaire jusqu'à ce qu'il s'arrête. (Figure 17)

NOTE

VÉRIFIEZ RÉGULIÈREMENT QUE L'ABAT-JOUR EN VERRE EST COMPLÈTEMENT VISSÉ DANS LE SENS HORAIRE DANS LE BAC DE LUMINAIRE.

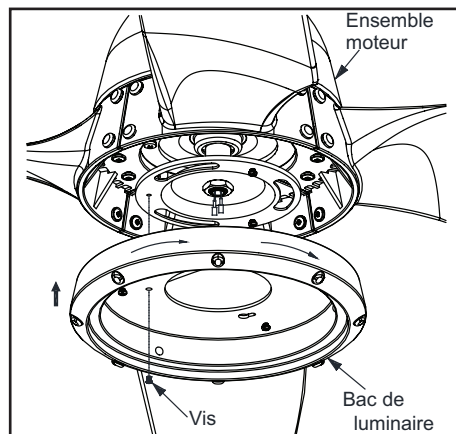


Figure 15

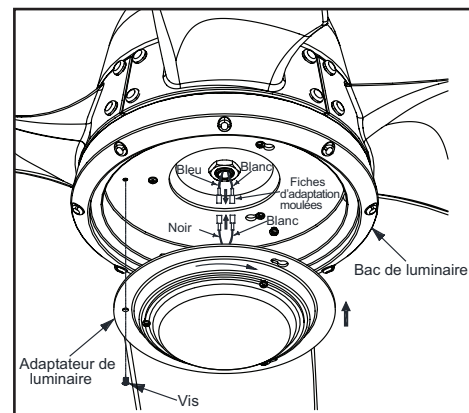


Figure 16

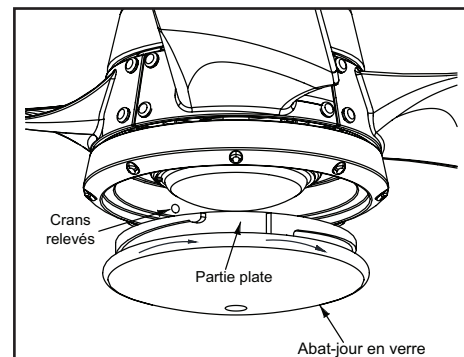


Figure 17

Préparation de la télécommande

REMARQUE : La télécommande a déjà été jumelée avec le ventilateur de plafond pour votre commodité. Si vous avez deux exemplaires du même modèle de ventilateur dans votre maison, veuillez suivre les étapes ci-dessous pour contrôler chaque ventilateur individuellement.

1. Retirez le couvercle du compartiment à piles en appuyant fermement sur la flèche et en faisant glisser le couvercle pour l'enlever.
2. Installez deux piles AAA (N) de 1,5 volt (comprises).
3. Faites glisser le commutateur DIP du compartiment à piles au réglage « 1 ».
4. Confirmez que l'alimentation électrique au ventilateur est coupée soit à l'interrupteur mural, soit à la boîte de disjoncteurs.
5. Rétablissez l'alimentation électrique au ventilateur, soit à l'interrupteur mural, soit à la boîte de disjoncteurs.
6. Poussez et relâchez le bouton « Learn (Apprentissage) » situé dans le compartiment à piles de la télécommande dans les 30 secondes suivant la mise en marche.
7. Si le jumelage est réussi, le luminaire du ventilateur clignotera et les pales commenceront à tourner.
8. Remettez le couvercle du compartiment à piles sur la télécommande.

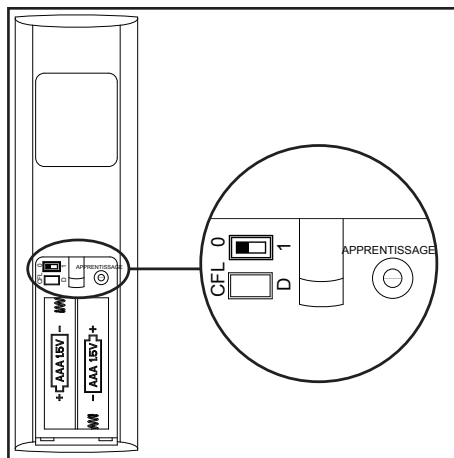


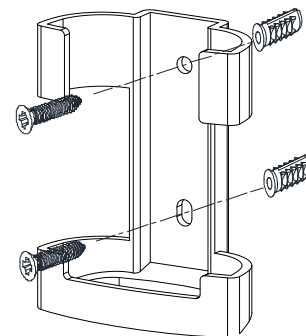
Figure 18

Installation du support de télécommande



REMARQUE : Des chevilles murales pour vis sont fournies pour consolider l'ancrage. Les vis fournies sont conçues pour se visser facilement dans le mur. Si vous préférez une prise plus permanente ou solide, installez les chevilles murales avant de fixer le support mural au mur.

- Placez le support mural dans la position souhaitée et fixez-le au mur à l'aide des vis pour support mural fournies.



Télécommande

Minuterie :

Pendant que le ventilateur est en marche, appuyez sur 2 h - allume une minuterie d'une durée de 2 heures.

Pendant que le ventilateur est en marche, appuyez sur 4 h - allume une minuterie d'une durée de 4 heures.

Pendant que le ventilateur est en marche, appuyez sur 8 h - allume une minuterie d'une durée de 8 heures.

Marche avant/arrière :

Change la direction du ventilateur de plafond.

Breeze

Appuyez sur et relâchez ce bouton pour activer la fonction Comfort Breeze (brise agréable), ce qui changera la vitesse de votre ventilateur au hasard en imitant une brise agréable.

Vitesse du ventilateur :

Les voyants DEL sur le bouton de vitesse du ventilateur s'illumineront à la vitesse correspondante.

Appuyez sur et relâchez 1 : règle la vitesse du ventilateur sur 1.

Appuyez sur et relâchez 2 : règle la vitesse du ventilateur sur 2.

Appuyez sur et relâchez 3 : règle la vitesse du ventilateur sur 3.

Appuyez sur et relâchez 4 : règle la vitesse du ventilateur sur 4.

Appuyez sur et relâchez 5 : règle la vitesse du ventilateur sur 5.

Appuyez sur et relâchez 6 : règle la vitesse du ventilateur sur 6.

Ventilateur OFF (ÉTEINT) :

Éteint le ventilateur

Luminaire ALLUMÉ/ÉTEINT

Appuyez sur et relâchez le bouton du luminaire pour l'allumer.

Appuyez sur et relâchez le bouton du luminaire pour l'éteindre.

Gradateur :

Appuyez sur et relâchez le bouton du gradateur pour augmenter la luminosité

Appuyez sur et maintenez le bouton du gradateur pour réduire la luminosité.

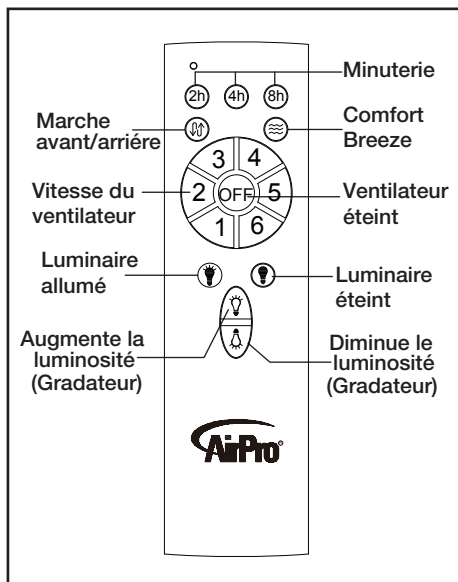


Figure 19

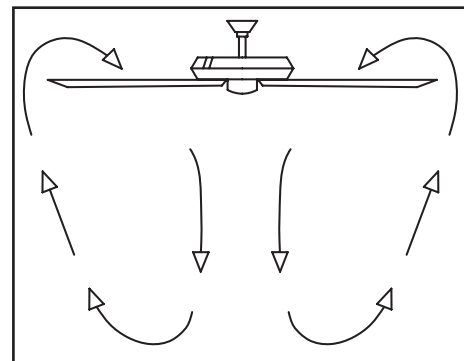


Figure 20

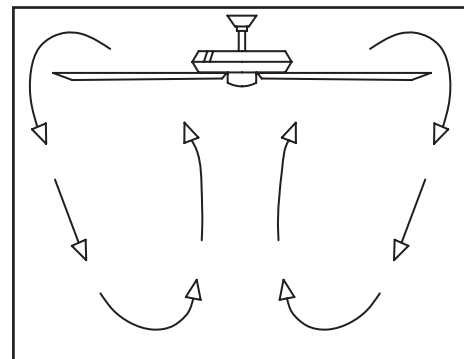


Figure 21

Par temps chaud - (marche avant) Un débit d'air descendant crée un courant d'air rafraîchissant, comme illustré à la Figure 20. Ce qui permet d'utiliser un réglage de climatisation plus élevé sans nuire à votre confort.

Par temps frais - (marche arrière) Un débit d'air descendant fait descendre l'air chaud du plafond, comme illustré à la Figure 21. Ce qui permet d'utiliser un réglage de chauffage plus bas sans nuire à votre confort.

Entretien du ventilateur

Voici quelques suggestions pour l'entretien de votre ventilateur.

1. En raison du mouvement naturel du ventilateur, certains raccords peuvent se desserrer. **Vérifiez les raccords de support, les brides et les fixations des pales deux fois par an.** Vérifiez qu'ils sont solidement fixés. **(il n'est pas nécessaire d'enlever le ventilateur du plafond).**
2. Nettoyez le ventilateur régulièrement pour conserver son aspect neuf au fil des années. N'utilisez pas d'eau pour nettoyer, car cela risque d'endommager le moteur ou même poser un risque de choc électrique. Utilisez uniquement une brosse douce ou un linge non pelucheux afin d'éviter d'égratigner le fini. Le revêtement est recouvert d'une laque afin d'en réduire la décoloration ou le ternissement. **Avertissement : Assurez-vous que l'alimentation électrique est coupée avant de nettoyer le ventilateur.**
3. Vous pouvez appliquer une fine couche de produit à polir sur le bois pour le protéger et l'embellir. Masquez les petites égratignures avec un peu de cirage.
4. **Il n'est pas nécessaire de lubrifier le ventilateur.** Le moteur est doté de roulements scellés à graissage permanent.

Dépannage

Problème

Le ventilateur ne se met pas en marche

Solution

1. Vérifiez les fusibles ou les disjoncteurs principaux ou divisionnaires
2. Vérifiez les connexions des fils de ligne au ventilateur et les connexions dans le boîtier de l'interrupteur mural. **ATTENTION : Assurez-vous que l'alimentation électrique principale est coupée.**
3. Vérifiez les piles de l'émetteur. Est-ce que le voyant DEL rouge est allumé? L'émetteur est-il assez près du ventilateur? (La portée normale est de 3 à 6 m). Les réglages des commutateurs DIP sont-ils les mêmes sur l'émetteur (télécommande) et le récepteur? **N'OUBLIEZ PAS DE COUPER L'ALIMENTATION ÉLECTRIQUE AVANT DE VÉRIFIER LE RÉGLAGE DES COMMUTATEURS DIP DU RÉCEPTEUR.**

Le ventilateur est bruyant

1. Assurez-vous que toutes les vis du boîtier du moteur sont bien serrées.
2. Assurez-vous que les vis qui fixent les supports de pales au moyeu du moteur sont bien serrées.
3. Assurez-vous que les capuchons de connexion ne s'entrechoquent pas ou ne se battent pas contre la paroi intérieure du boîtier de l'interrupteur. **ATTENTION : Assurez-vous que l'alimentation électrique est coupée.**
4. Accordez une période de « rodage » de 24 heures. La plupart des bruits d'un ventilateur neuf disparaissent au cours de cette période.
5. Si le luminaire est utilisé, assurez-vous que les vis des abat-jour en verre sont bien serrées. Veillez également à ce que l'ampoule soit bien vissée.
6. Assurez-vous que la monture se trouve à une courte distance du plafond. Elle ne doit pas être en contact avec le plafond.
7. Assurez-vous que la boîte électrique est bien fixée et que des coussinets isolants en caoutchouc ont été installés entre la traverse et la boîte électrique.

AVERTISSEMENT

ASSUREZ-VOUS QUE L'ALIMENTATION ÉLECTRIQUE A ÉTÉ COUPÉE AU TABLEAU DE DISTRIBUTION AVANT DE TENTER D'EFFECTUER UNE RÉPARATION. CONSULTEZ LA SECTION « CONNEXIONS ÉLECTRIQUES ».

12. Entretien du ventilateur et dépannage

TAILLE DU VENTILATEUR	VITESSE	VOLTS	PUISSANCE CONSOMMÉE PAR LE VENTILATEUR (SANS LUMINAIRE) WATTS	DÉBIT D'AIR PI ³ /MIN	RENDEMENT ÉNERGÉTIQUE DU DÉBIT D'AIR (PLUS ÉLEVÉ EST MIEUX) PI ³ PAR MIN/WATT	POIDS NET	POIDS BRUT	PIEDS CUBES
142 cm	Faible	120	1,77	2798	1581	7.6	9.6	2,55
	Élevée		20,5	7801	381	kg	kg	

Le présent appareil est conforme aux CNR d'Industrie Canada applicables aux appareils radio exempts de licence. L'exploitation est autorisée aux deux conditions suivantes : (1) l'appareil ne doit pas produire de brouillage, et (2) l'utilisateur de l'appareil doit accepter tout brouillage radioélectrique subi, même si le brouillage est susceptible d'en compromettre le fonctionnement.

©2017 Progress Lighting, Inc.
701 Millennium Blvd.,
Greenville, SC 29607
Tous droits réservés

13. Caractéristiques